

Optics Data

- Specially designed for machine vision macro application in compact size and light weight.
- The wide range of WD from 40mm to 340mm
- The variety of magnification from x0.5 to 10. x1.5, x3.0, x5.0 are also available.

Applications

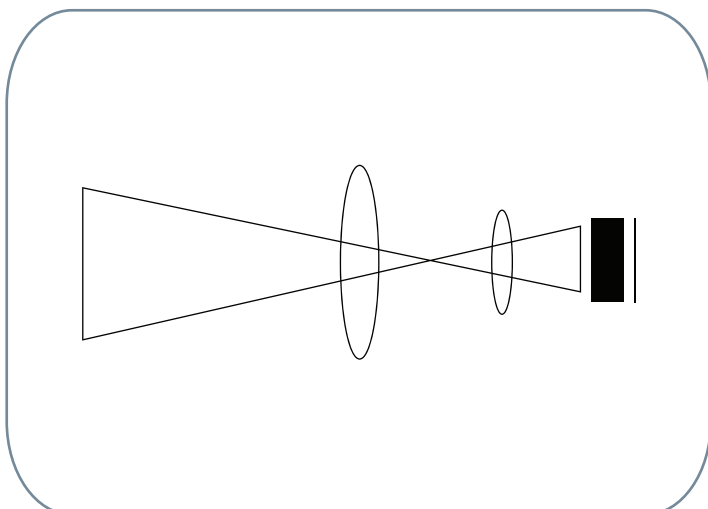
Standard spec telecentric lens and good for both Alignment and Inspection.



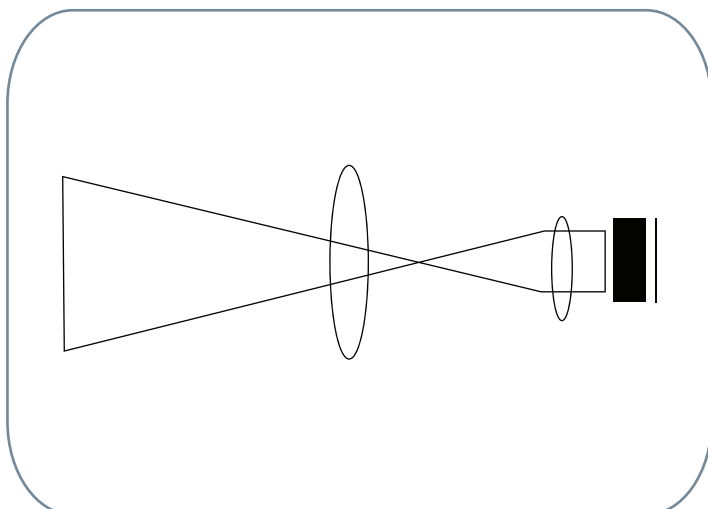
Telecentric Lens

Telecentric Lens has parallel chief rays with its optical axis and is ideal for co-axial lighting. Telecentric Lens eliminates perspective error in your image, which gives you no magnification change when the distance between object and lens (WD) changed. This allows you accurate measurement of 3D object or even the object is moving up and down.

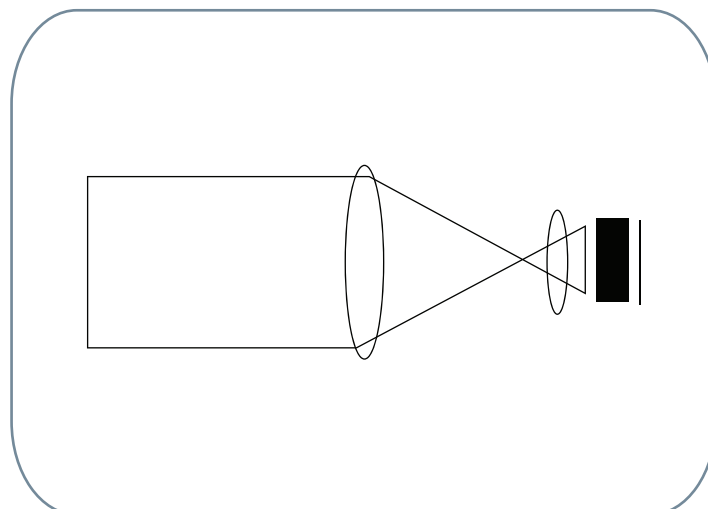
Conventional lens



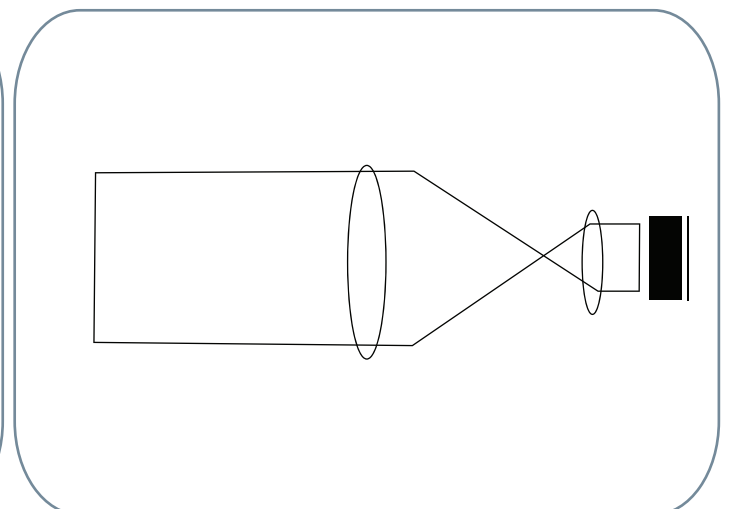
Senor-side telecentric lens



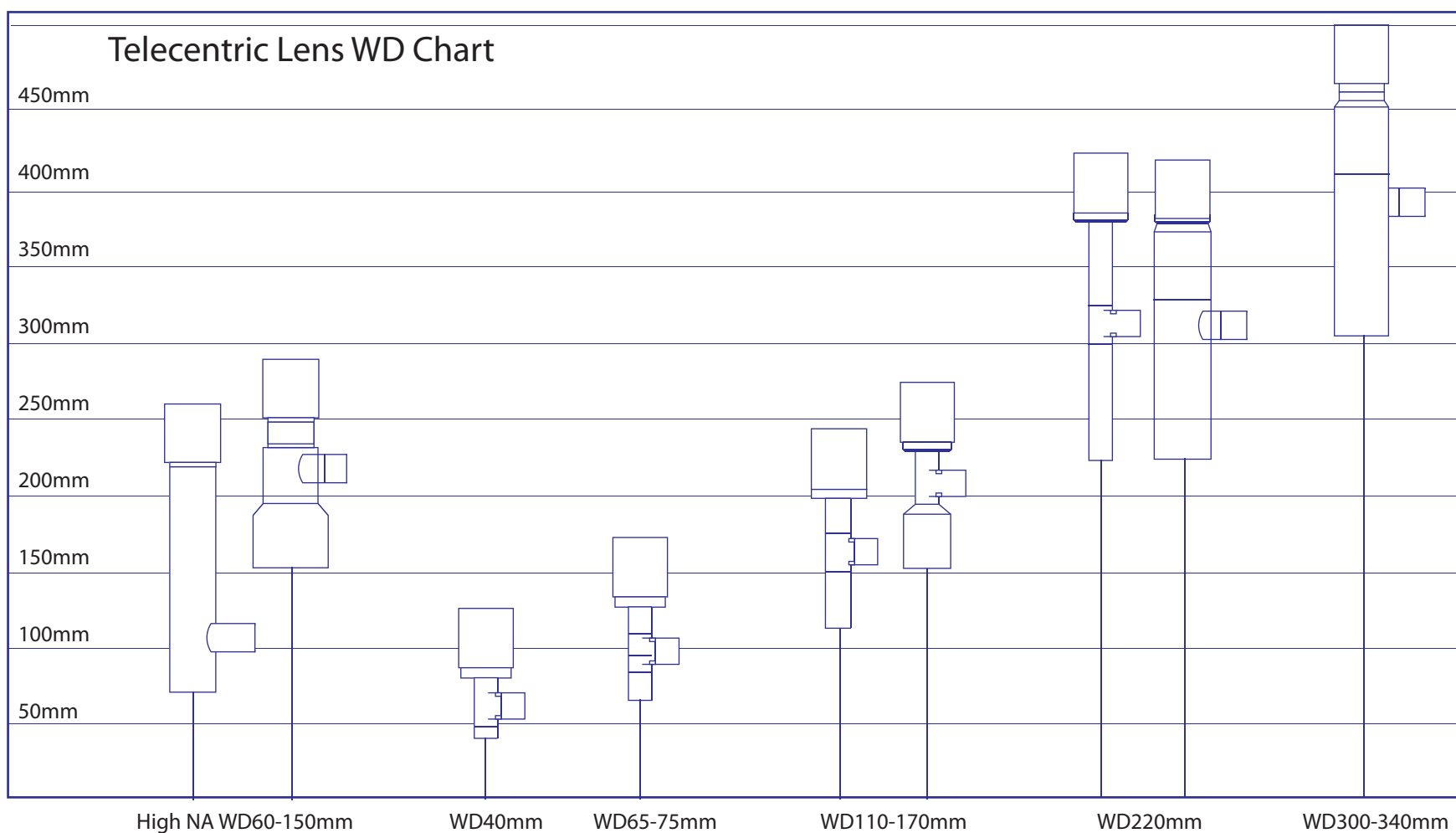
Object - side telecentric lens



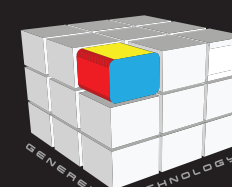
Both sides telecentric lens



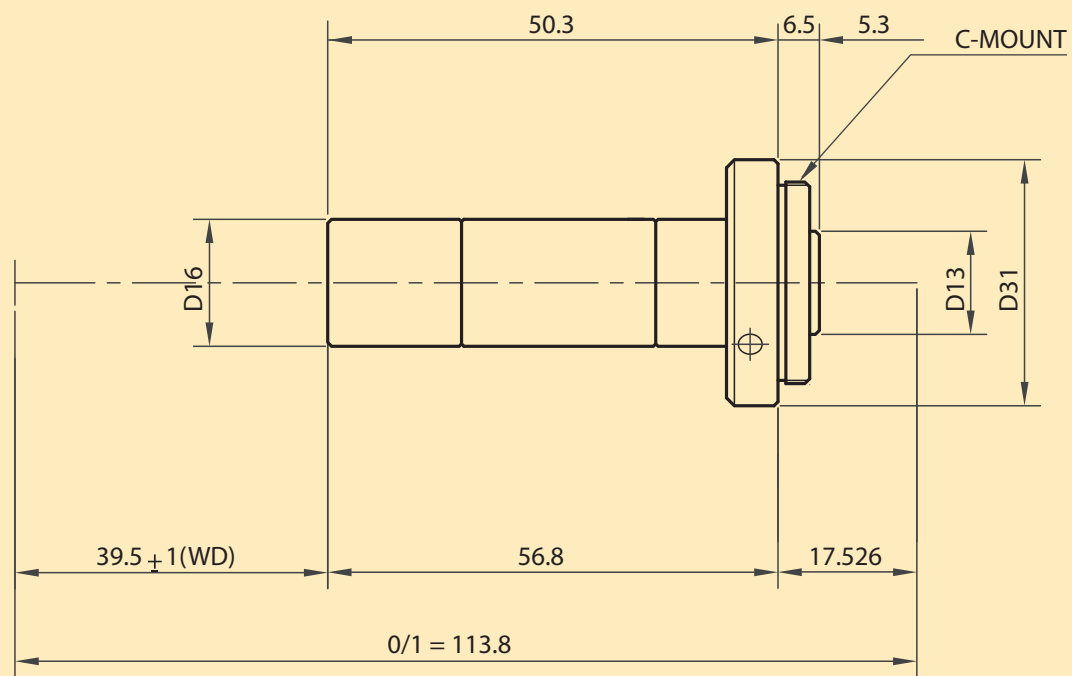
Telecentric Lens WD Chart



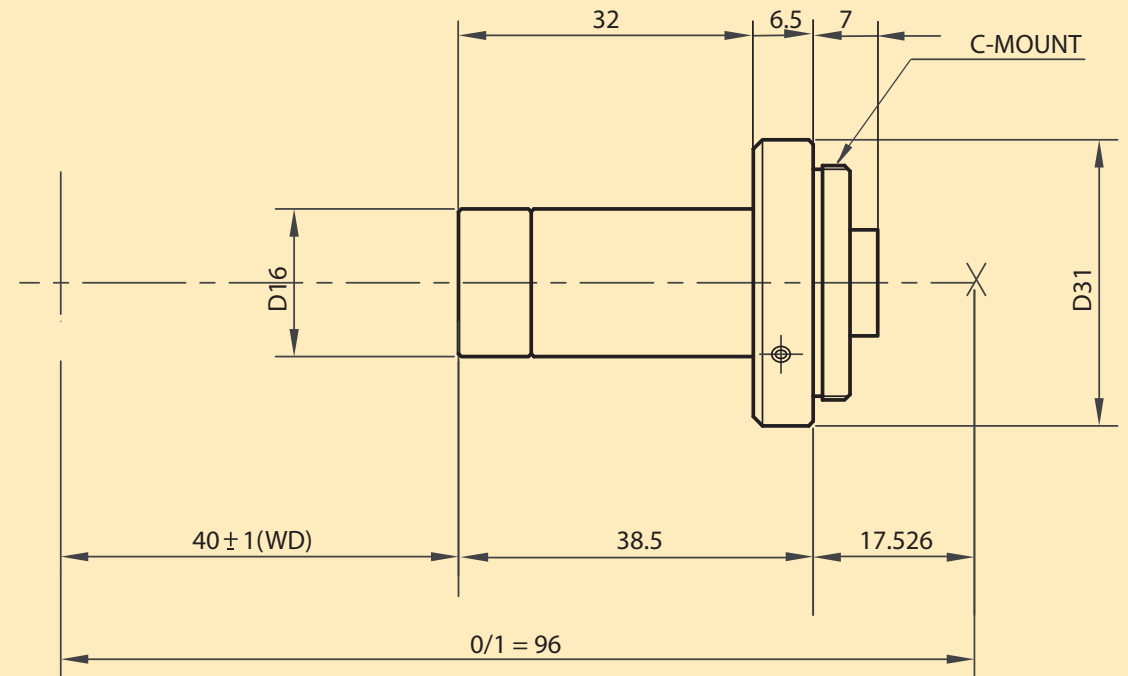
* WD = Working distance FOV = File of view DOF = Depth of field



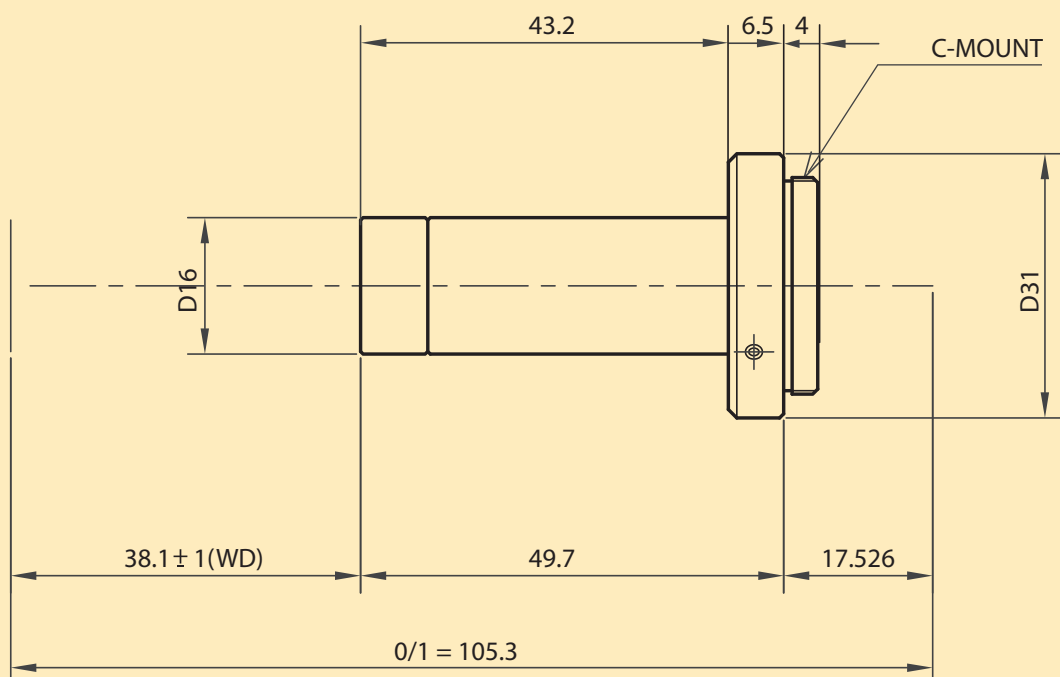
GT-TC1.5-40



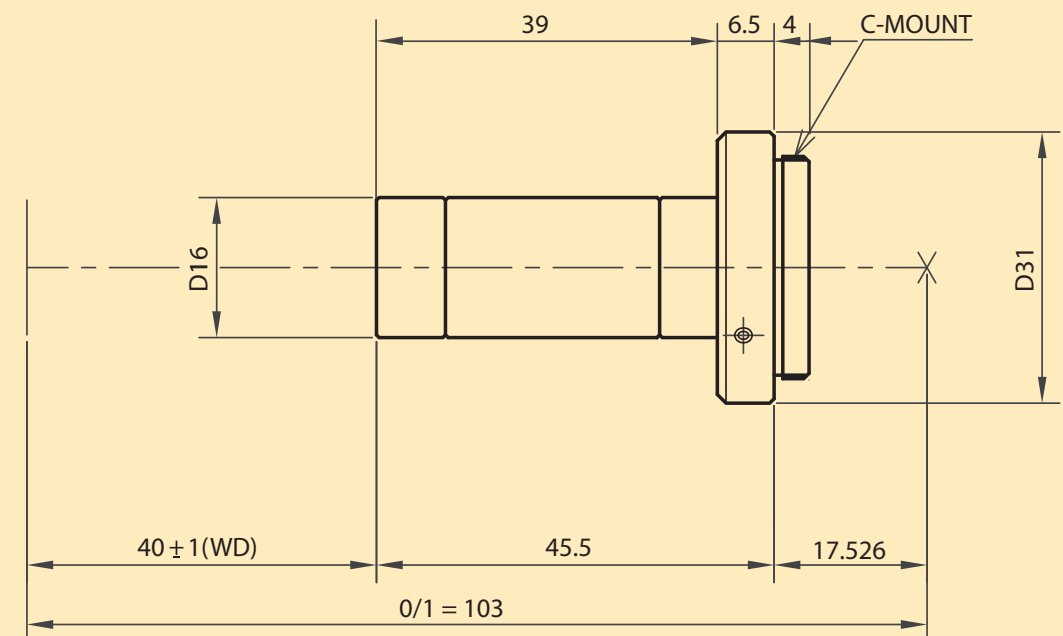
GT-TC2-40



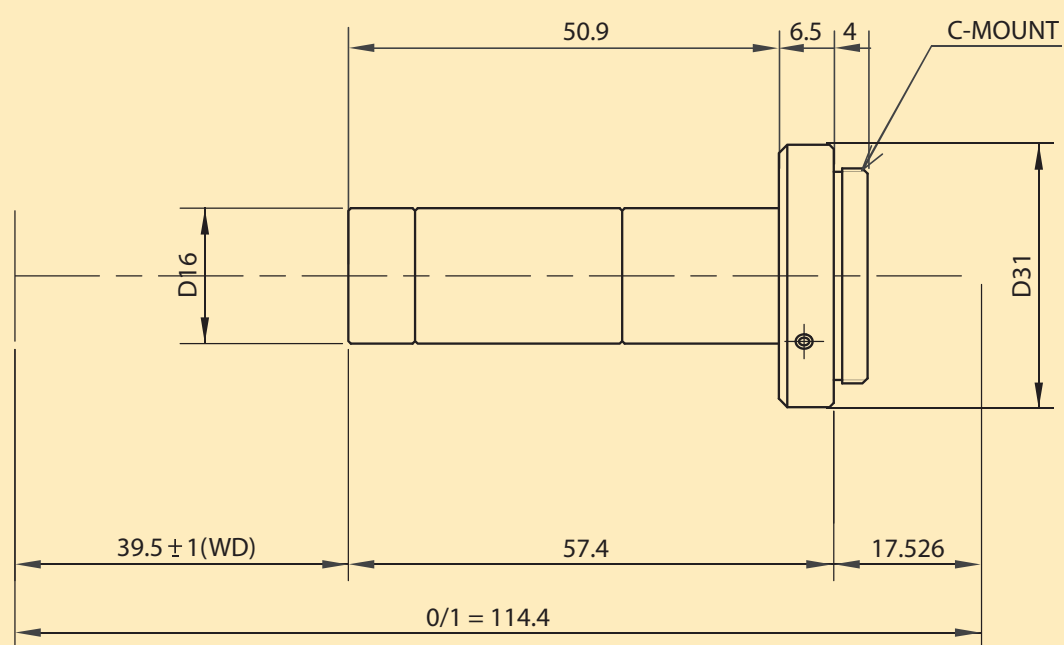
GT-TC3-40



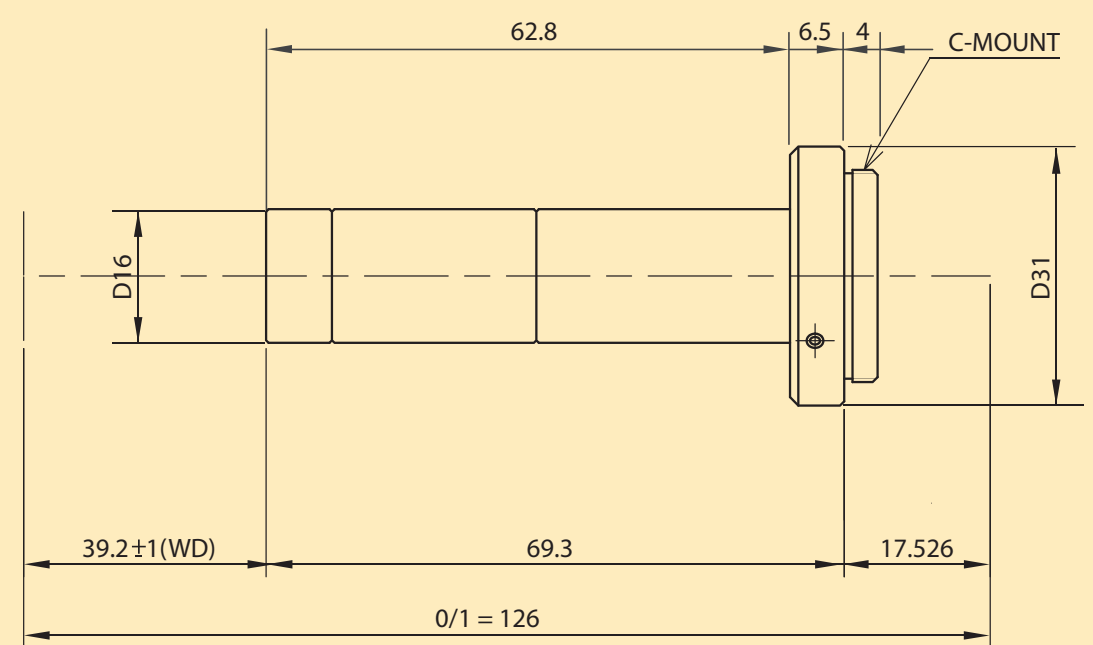
GT-TC4-40



GT-TC6-40



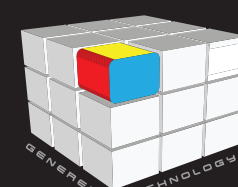
GT-TC8-40



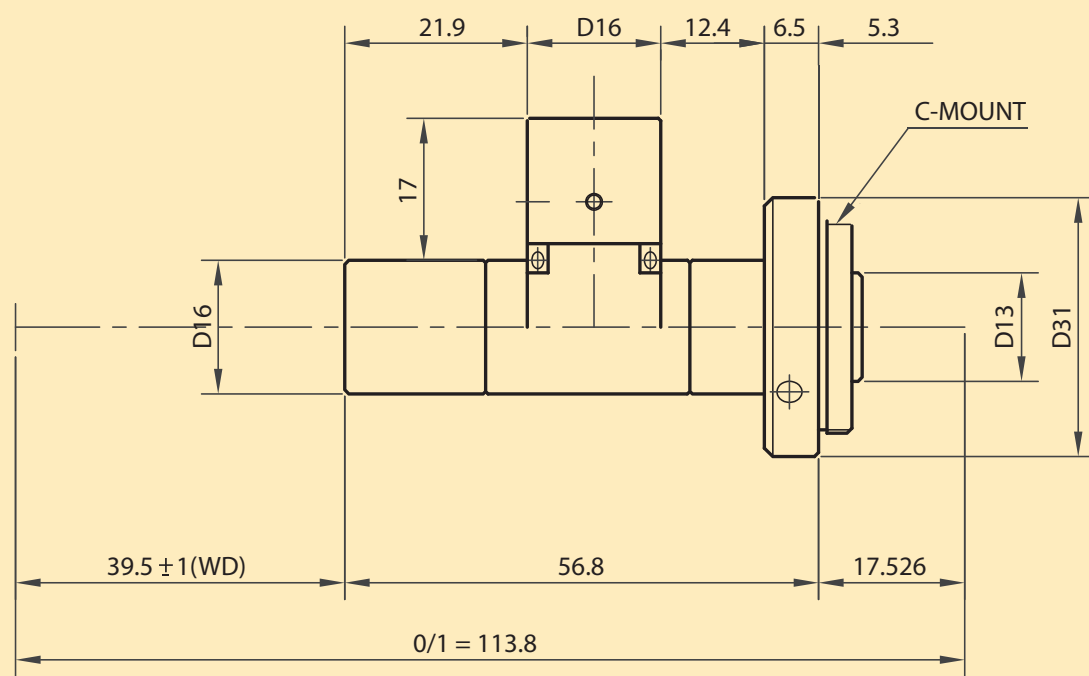
Short WD

| Model | GT-TC1.5-40 | GT-TC2-40 | GT-TC3-40 | GT-TC4-40 | GT-TC6-40 | GT-TC8-40 |
|-------------------|--------------------------|---------------|----------------|----------------|----------------|----------------|
| Optical Mag. | 1.5x | 2.0x | 3.0x | 4.0x | 6.0x | 8.0x |
| FOV 1/2" (VxH mm) | 3.2x4.2 | 2.4x3.2 | 1.6x2.13 | 1.2x1.6 | 0.8x1.06 | 0.6x0.8 |
| FOV 1/3" (VxH mm) | 2.4x3.2 | 1.8x2.4 | 1.2x2.6 | 0.9x1.2 | 0.6x0.8 | 0.45x0.6 |
| WD (mm) | 39.5 | 40 | 38.1 | 40 | 39.5 | 39.2 |
| O/I (mm) | 113.8 | 96 | 105.3 | 103 | 114.4 | 126 |
| Working F/# | 10.7 | 14.2 | 21.4 | 28.5 | 42.8 | 57.1 |
| NA | 0.07 | 0.07 | 0.07 | 0.07 | 0.07 | 0.07 |
| DOF (mm) *1 | 0.38 | 0.28 | 0.19 | 0.14 | 0.095 | 0.071 |
| TV Distortion | Less than 0.05% | Less than 0.1 | Less than 0.1% | Less than 0.1% | Less than 0.1% | Less than 0.1% |
| Co-axial Prism | - | - | - | - | - | - |
| Weight | approx.37g | approx.32g | approx.36g | approx.33g | approx.35g | approx.40g |
| Sensor Size/Mount | 1/2" or smaller /C-Mount | | | | | |

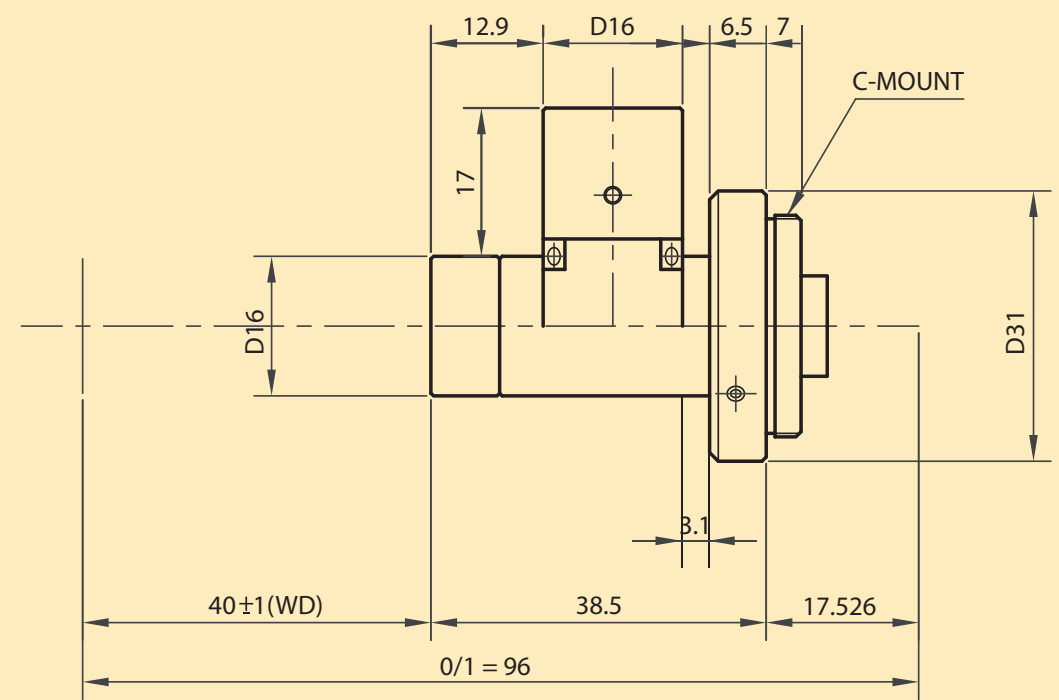
*1 Permissible COC at D0.04mm



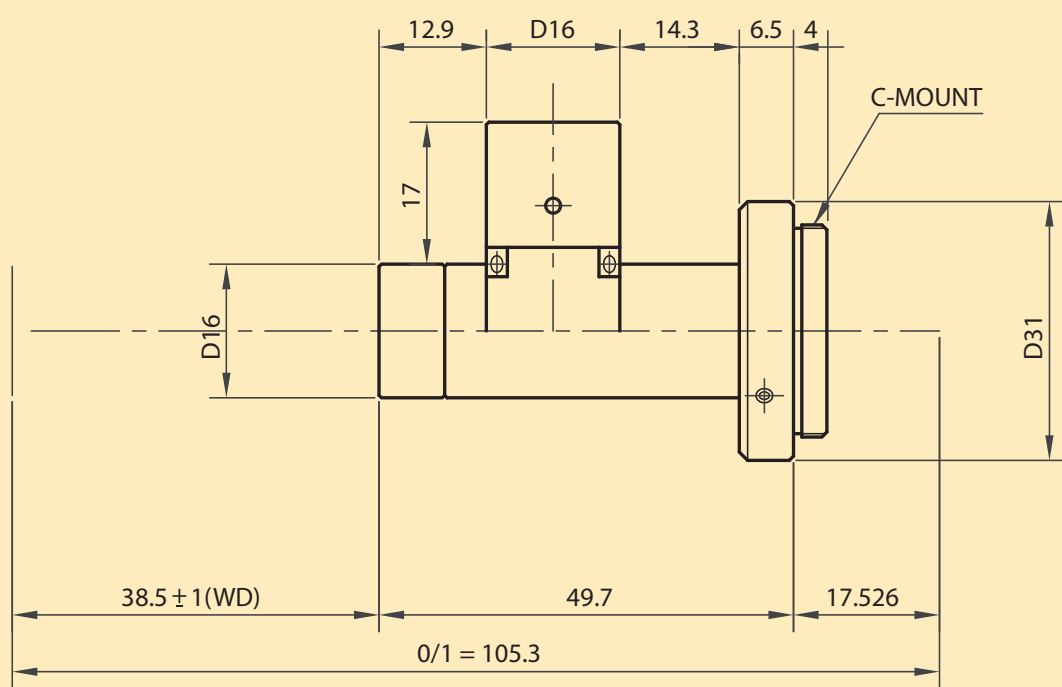
GT-TC1.5-40CO



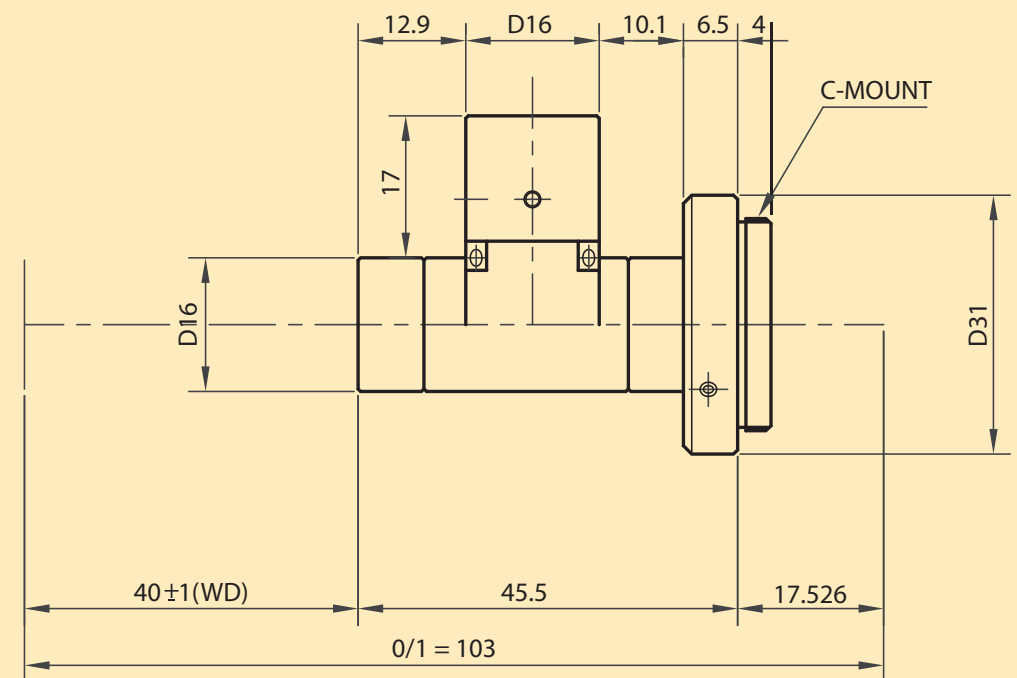
GT-TC2-40CO



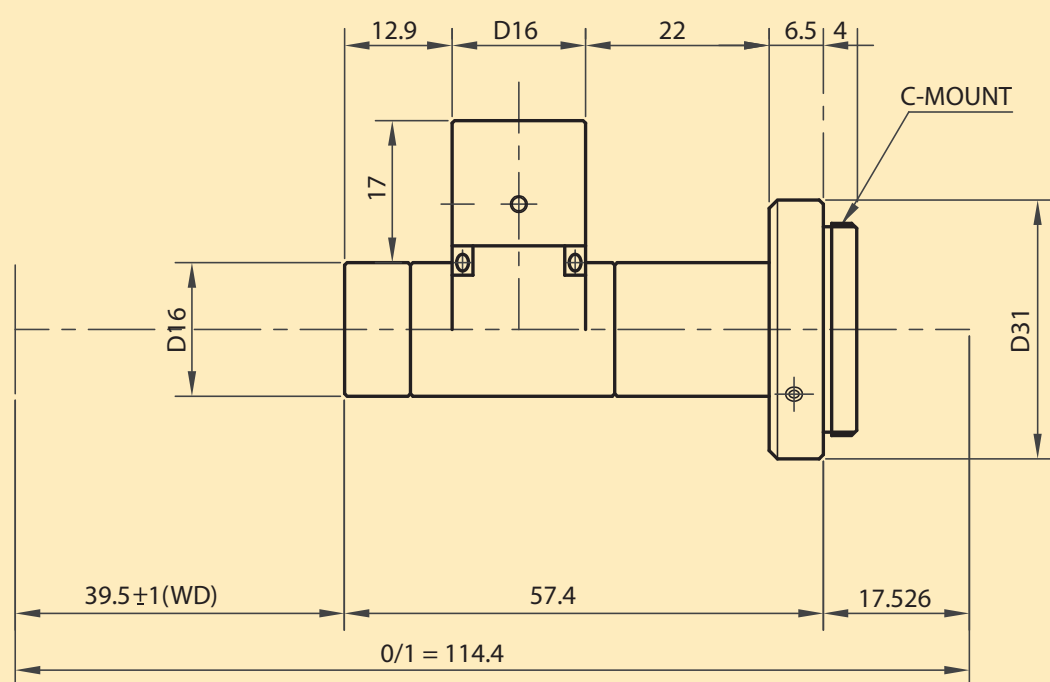
GT-TC3-40CO



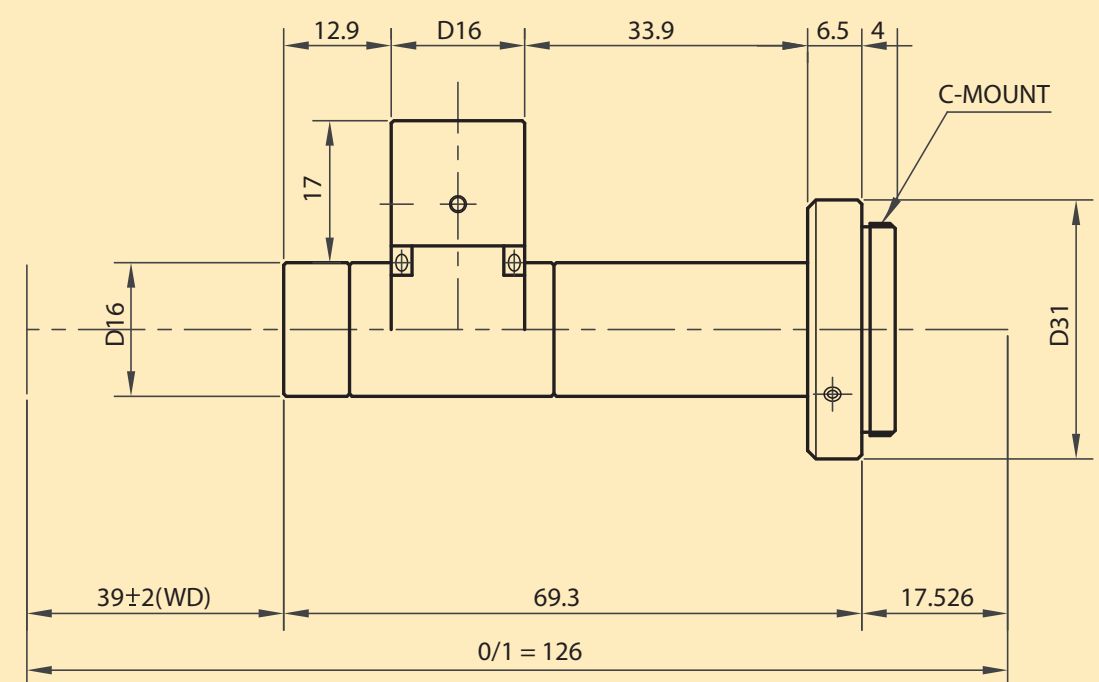
GT-TC4-40CO



GT-TC6-40CO

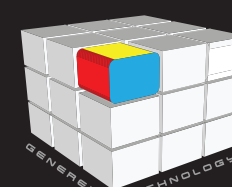


GT-TC8-40CO



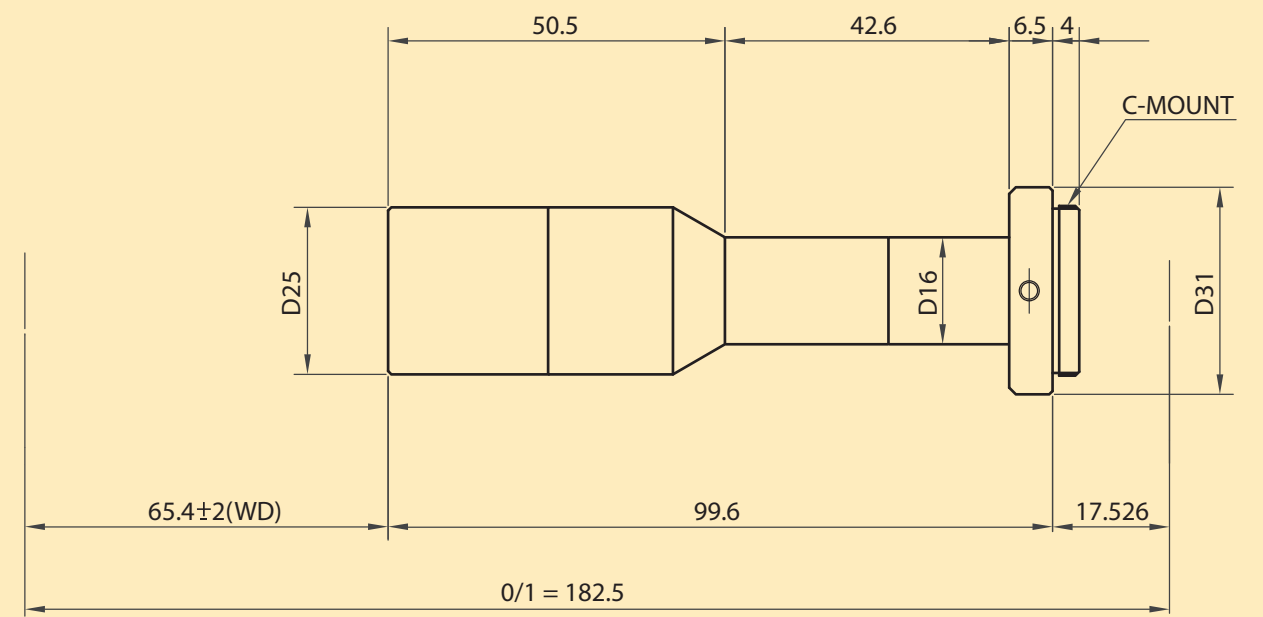
| Model | GT-TC1.5-40CO | GT-TC2-40CO | GT-TC3-40CO | GT-TC4-40CO | GT-TC6-40CO | GT-TC8-40CO |
|-------------------|--------------------------|---------------|----------------|----------------|----------------|----------------|
| Optical Mag. | 1.5x | 2.0x | 3.0x | 4.0x | 6.0x | 8.0x |
| FOV 1/2" (VxH mm) | 3.2x4.2 | 2.4x3.2 | 1.6x2.13 | 1.2x1.6 | 0.8x1.06 | 0.6x0.8 |
| FOV 1/3" (VxH mm) | 2.4x3.2 | 1.8x2.4 | 1.2x2.6 | 0.9x1.2 | 0.6x0.8 | 0.45x0.6 |
| WD (mm) | 39.5 | 40 | 38.1 | 40 | 39.5 | 39.2 |
| O/I (mm) | 113.8 | 96 | 105.3 | 103 | 114.4 | 126 |
| Working F/# | 10.7 | 14.2 | 21.4 | 28.5 | 42.8 | 57.1 |
| NA | 0.07 | 0.07 | 0.07 | 0.07 | 0.07 | 0.07 |
| DOF (mm) *1 | 0.38 | 0.28 | 0.19 | 0.14 | 0.095 | 0.071 |
| TV Distortion | Less than 0.05% | Less than 0.1 | Less than 0.1% | Less than 0.1% | Less than 0.1% | Less than 0.1% |
| Co-axial Prism | Built-in | Built-in | Built-in | Built-in | Built-in | Built-in |
| Weight | approx.45g | approx.40g | approx.44g | approx.41g | approx.43g | approx.48g |
| Sensor Size/Mount | 1/2" or smaller /C-Mount | | | | | |

*1 Permissible COC at D0.04mm

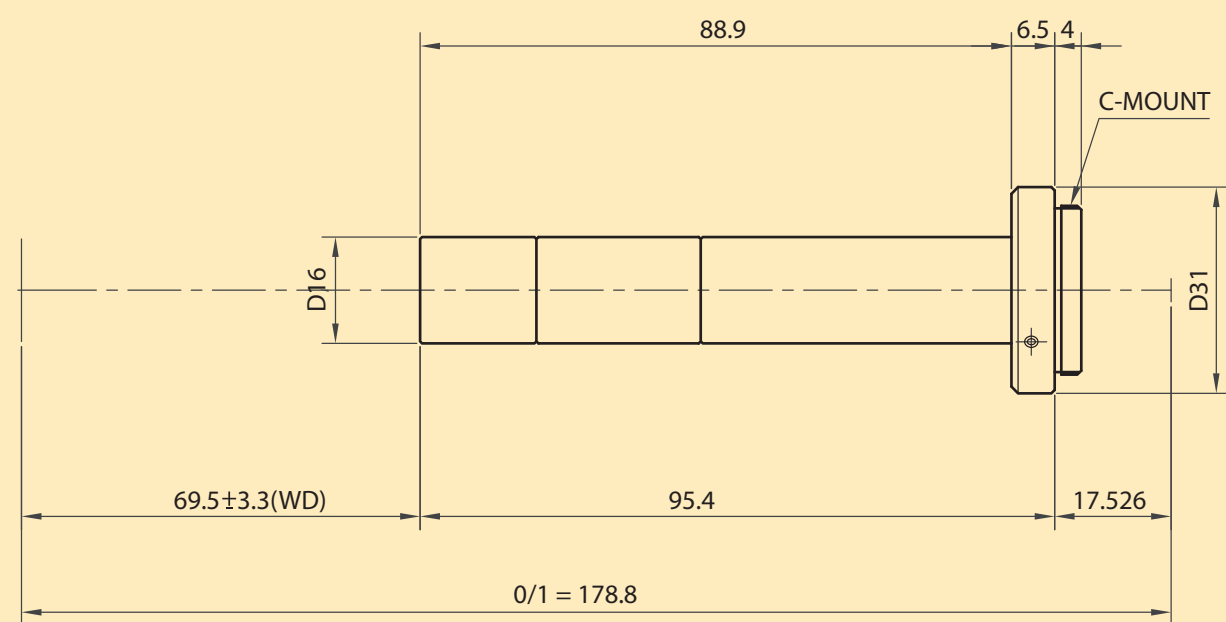


Middle WD 65~75 mm

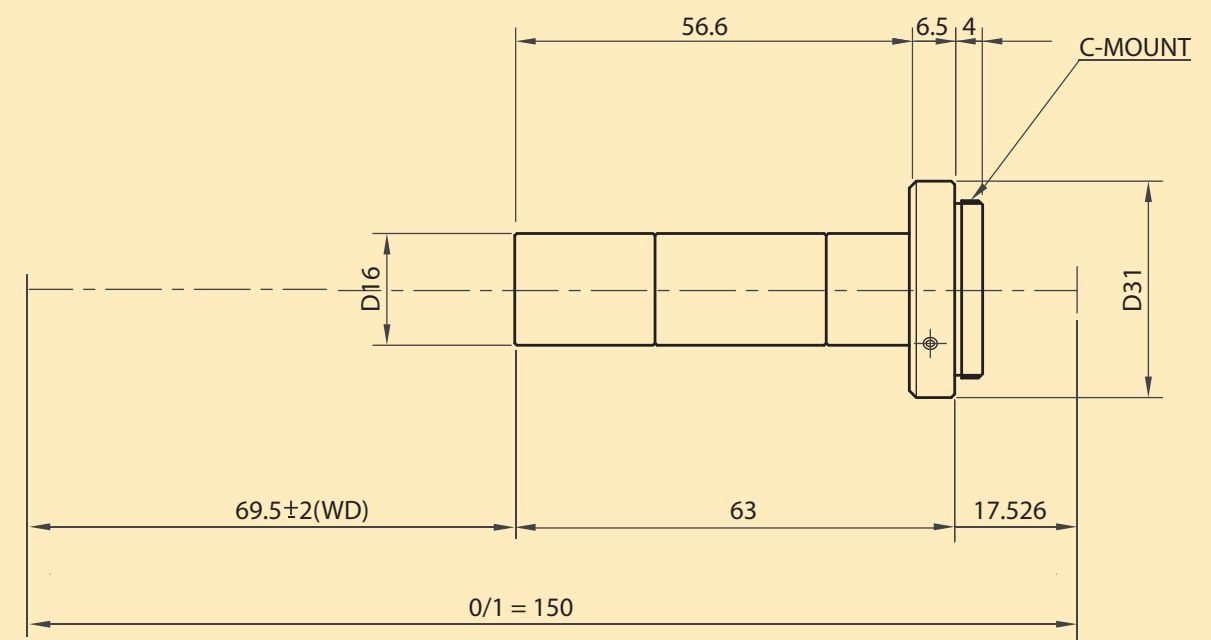
GT-TC8-65



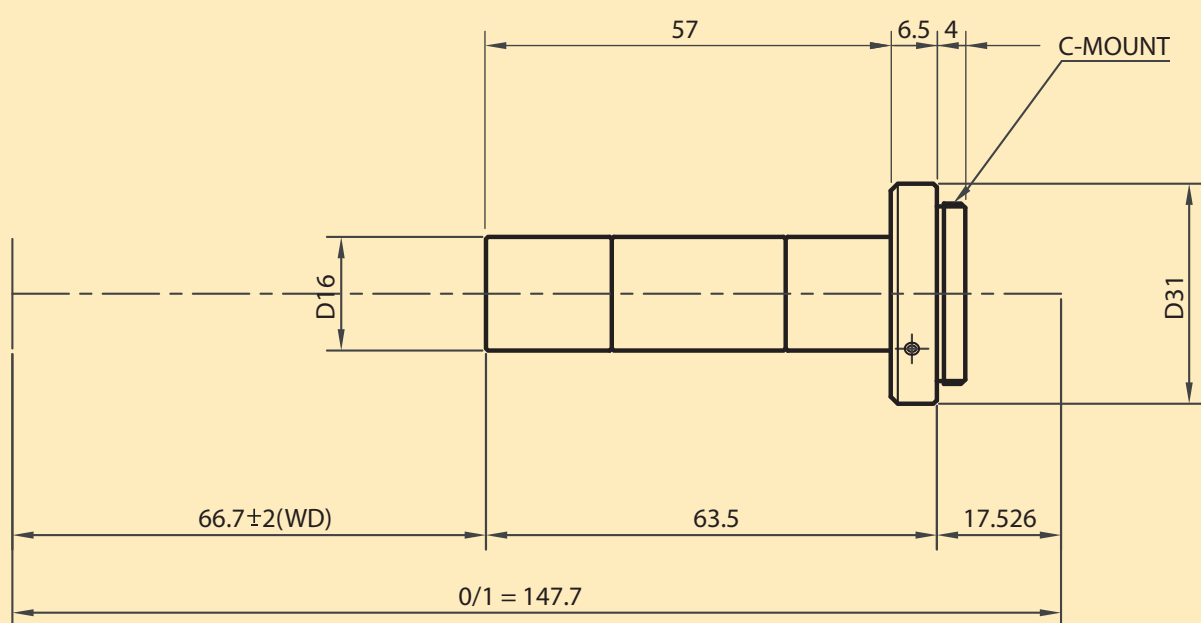
GT-TC1-65-16



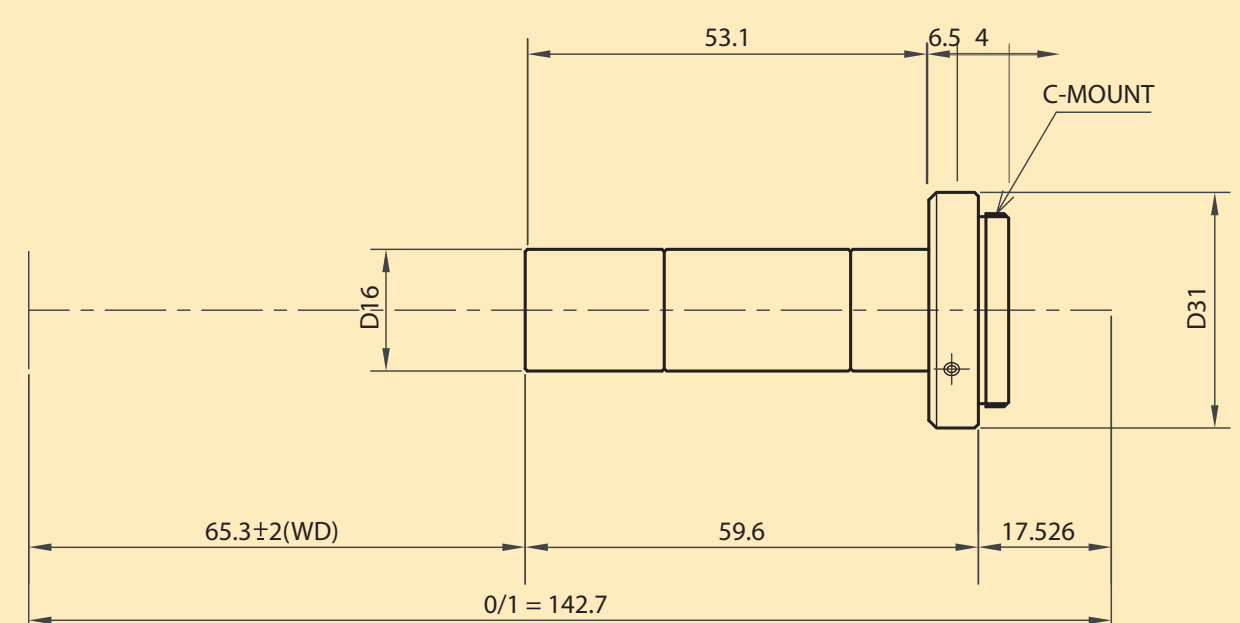
GT-TC1.5-70



GT-TC2-65

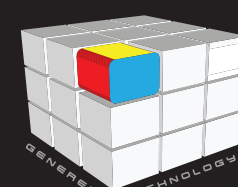


GT-TC3-65

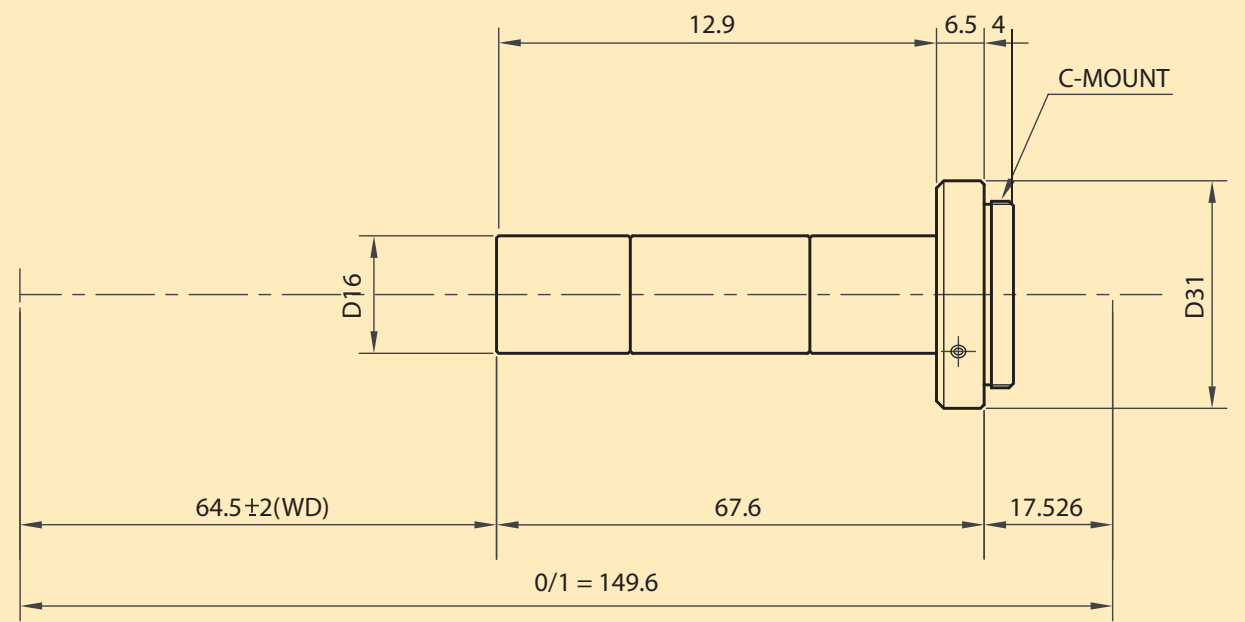


| Model | GT-TC08-65 | GT-TC1-65-16 | GT-TC1.5-70 | GT-TC2-65 | GT-TC3-65 |
|-------------------|--------------------------|----------------|--------------------------|----------------|--------------------------|
| Optical Mag. | 0.8x | 1.0x | 1.5x | 2.0x | 3.0x |
| FOV 2/3" (VxH mm) | - | - | 4.4x5.86 | 3.3x4.4 | - |
| FOV 1/2" (VxH mm) | 6x8 | 4.8x6.4 | 3.2x4.26 | 2.4x3.2 | 1.6x2.13 |
| FOV 1/3" (VxH mm) | - | 3.6x4.8 | 2.4x3.2 | 1.8x2.4 | 1.2x1.6 |
| WD (mm) | 65.4 | 65.9 | 69.5 | 66.7 | 65.3 |
| O/I (mm) | 182.5 | 178.8 | 150 | 147.7 | 142.4 |
| Working F/# | 10 | 14.2 | 15.6 | 15.2 | 20.6 |
| NA | 0.04 | 0.035 | 0.048 | 0.066 | 0.07 |
| DOF*1 (mm) | 1.25 | 1.14 | 0.55 | 0.3 | 0.19 |
| TV Distortion | 0.05% | Less than 0.1% | Less than 0.1% | Less than 0.1% | 0.4% |
| Co-axial Prism | - | - | - | - | - |
| Weight | approx.78g | approx.53g | approx.42g | approx.41g | approx.41g |
| Sensor Size/Mount | 1/2" or smaller /C-Mount | | 2/3" or smaller /C-Mount | | 1/2" or smaller /C-Mount |

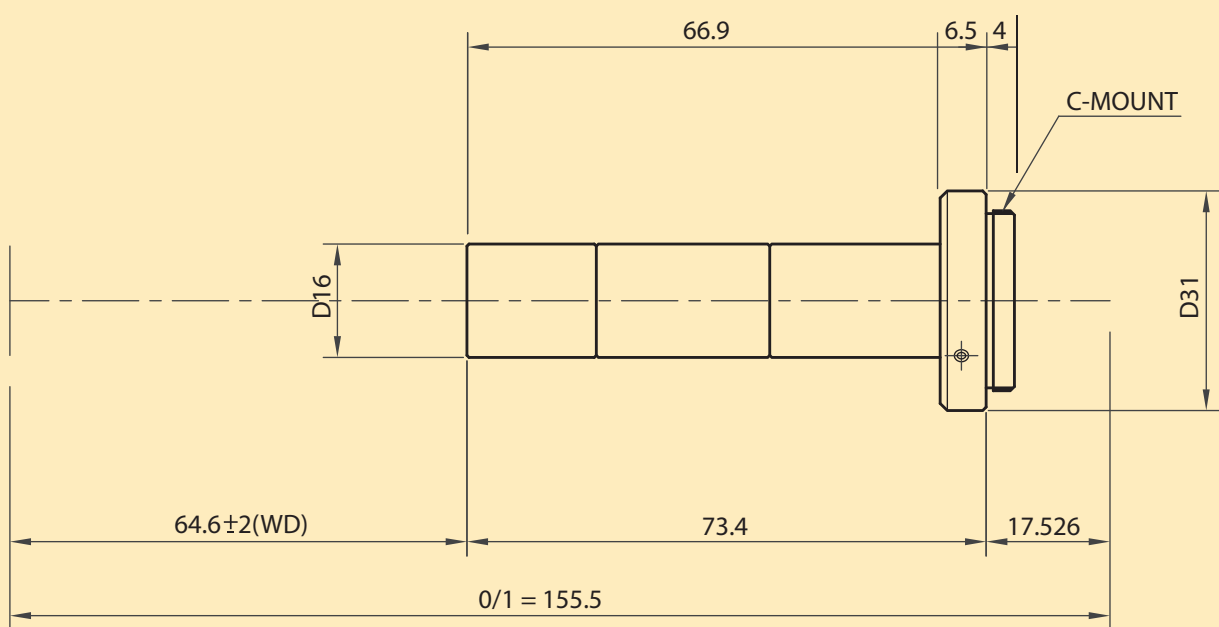
*1 Permissible COC at D0.04mm



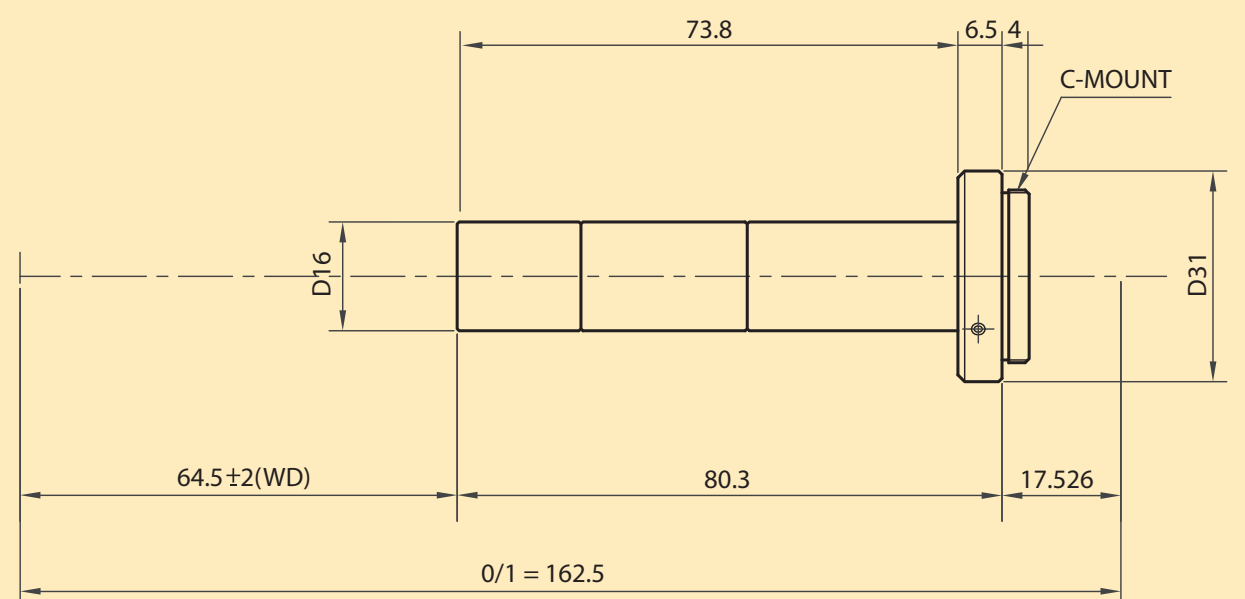
GT-TC4-65



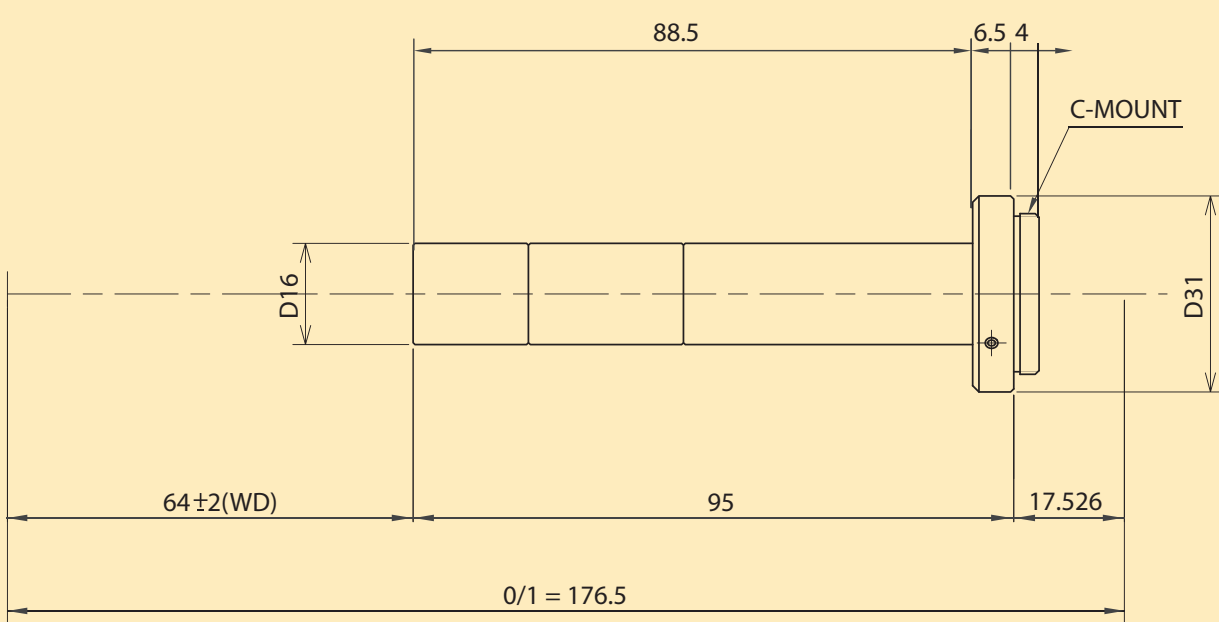
GT-TC5-65



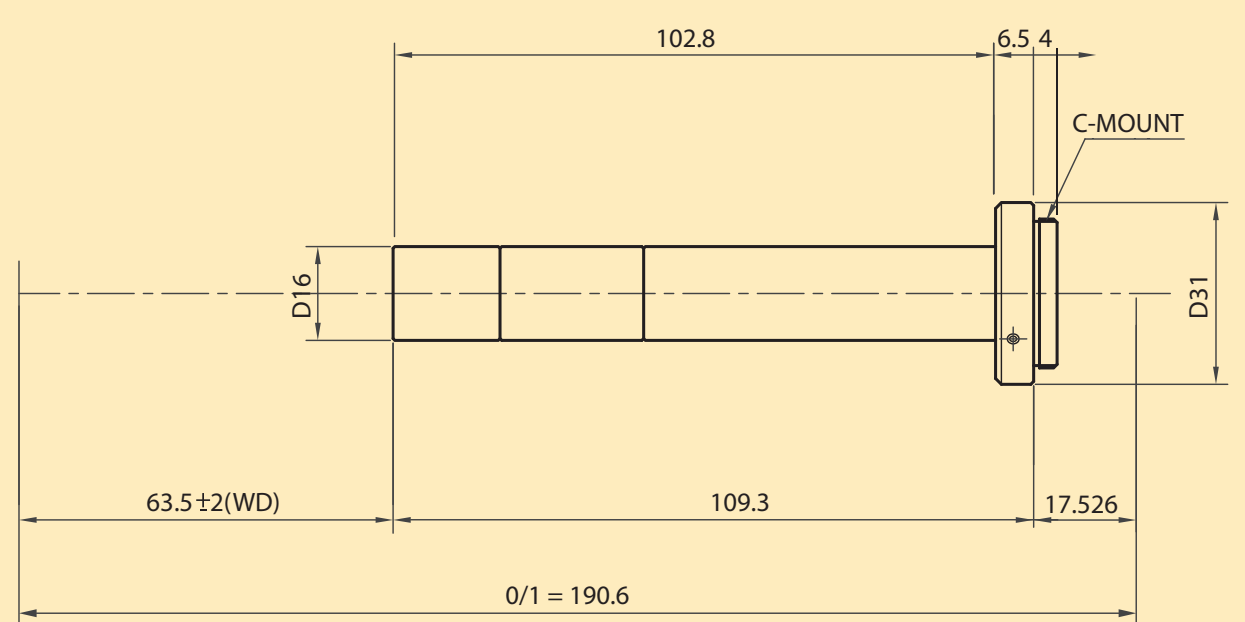
GT-TC6-65



GT-TC8-65



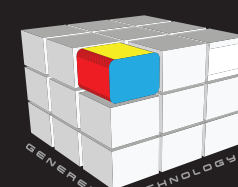
GT-TC10-65



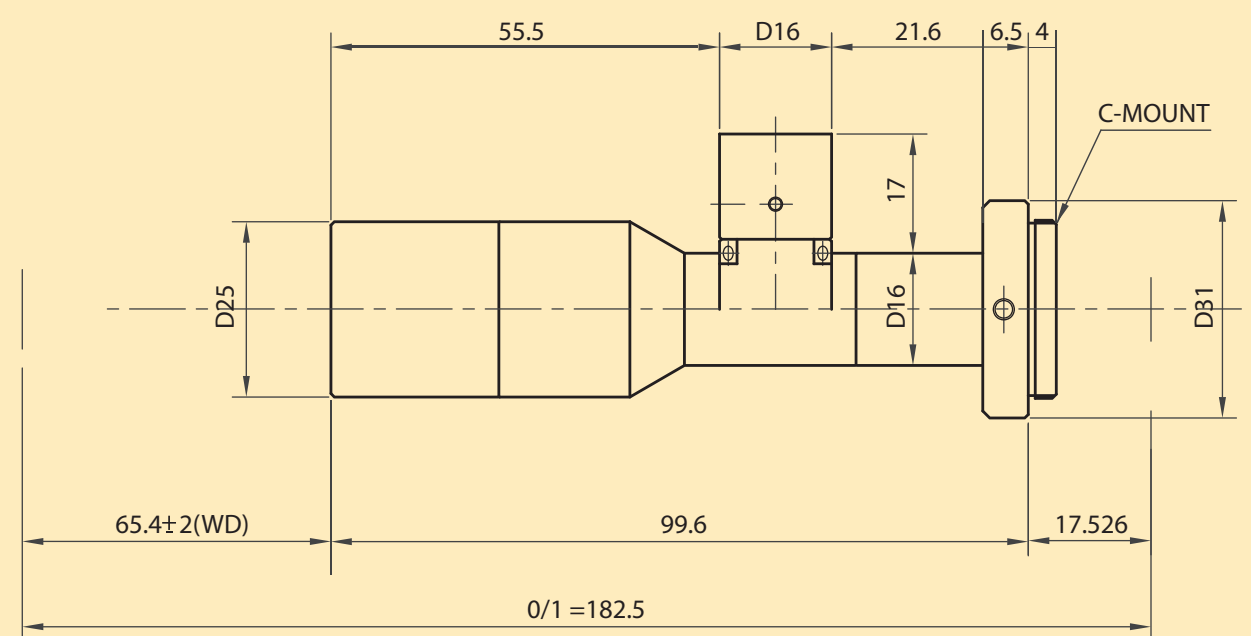
Middle WD 65~75 mm

| Model | GT-TC4-65 | GT-TC5-65 | GT-TC6-65 | GT-TC8-65 | GT-TC10-65 |
|-------------------|--------------------------|----------------|----------------|----------------|----------------|
| Optical Mag. | 4.0x | 5.0x | 6.0x | 8.0x | 10.0x |
| FOV 2/3" (VxH mm) | 1.65x2.2 | 1.32x1.76 | 1.1x1.46 | 0.82x1.1 | - |
| FOV 1/2" (VxH mm) | 1.2x1.6 | 0.96x1.28 | 0.8x1.06 | 0.6x0.8 | 0.48x0.64 |
| FOV 1/3" (VxH mm) | 0.9x1.2 | 0.72x0.96 | 0.6x0.8 | 0.45x0.6 | 0.36x0.48 |
| WD (mm) | 64.5 | 64.6 | 64.5 | 64 | 63.8 |
| O/I (mm) | 149.6 | 155.5 | 162.5 | 176.5 | 190.6 |
| Working F/# | 27.5 | 32.8 | 39.4 | 52.6 | 65.7 |
| NA | 0.073 | 0.076 | 0.076 | 0.076 | 0.076 |
| DOF*1 (mm) | 0.13 | 0.1 | 0.09 | 0.07 | 0.05 |
| TV Distortion | 0.4% | Less than 0.1% | Less than 0.1% | Less than 0.1% | Less than 0.1% |
| Co-axial Prism | - | - | - | - | - |
| Weight | approx.43g | approx.46g | approx.48g | approx.52g | approx.55g |
| Sensor Size/Mount | 2/3" or smaller /C-Mount | | | | |

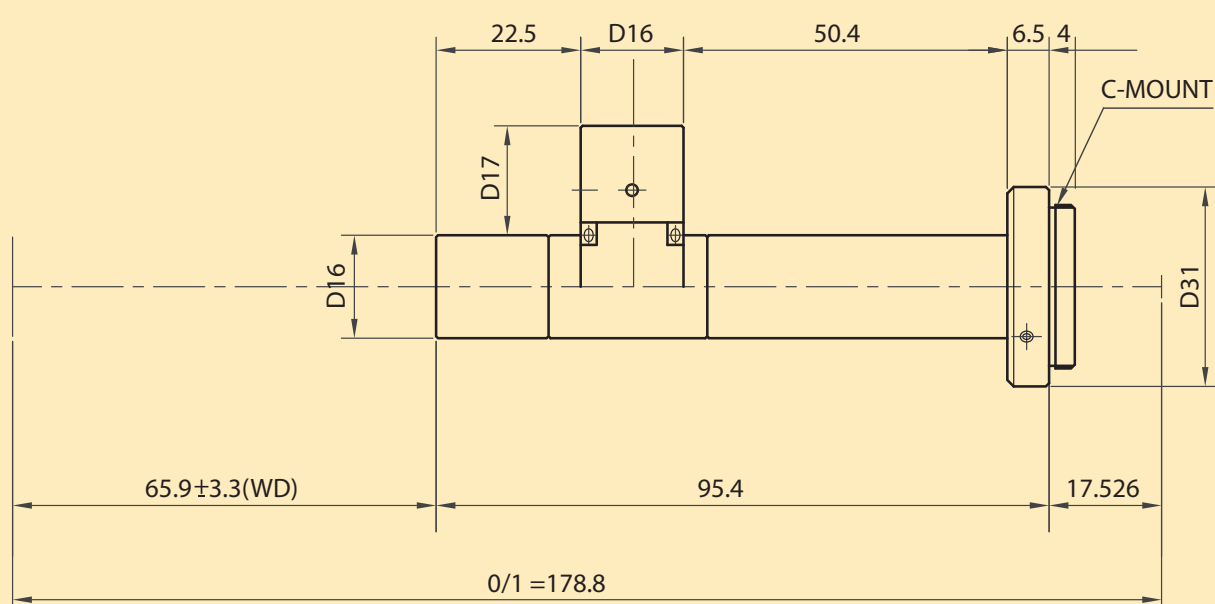
*1 Permissible COC at D0.04mm



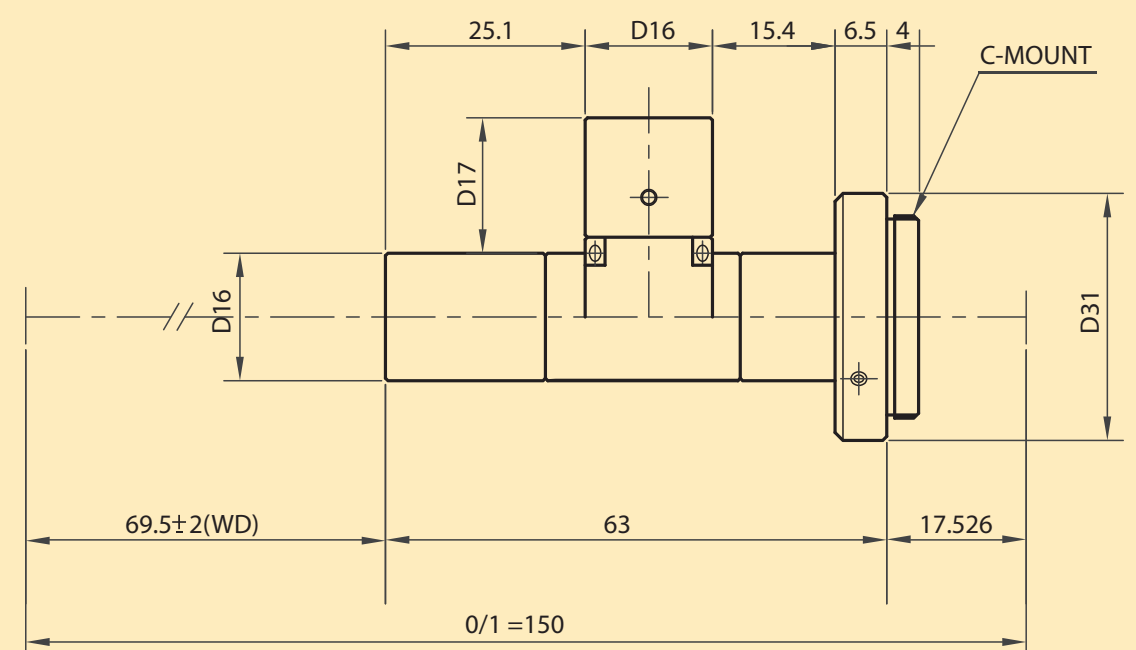
GT-TC08-65CO



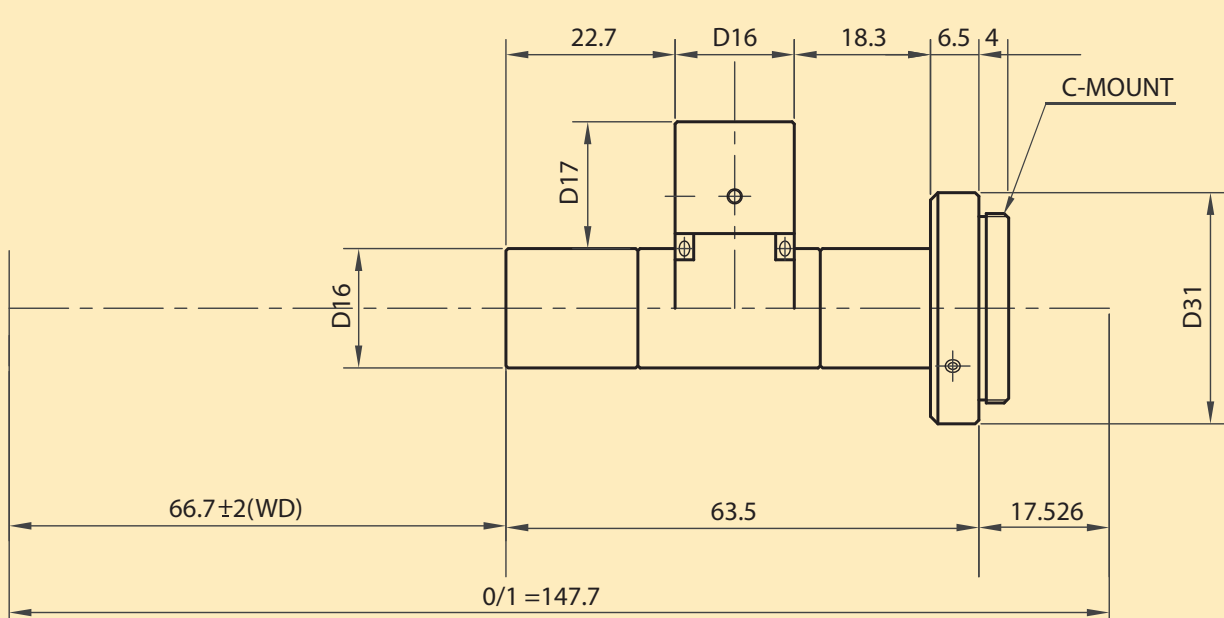
GT-TC1-65CO-16



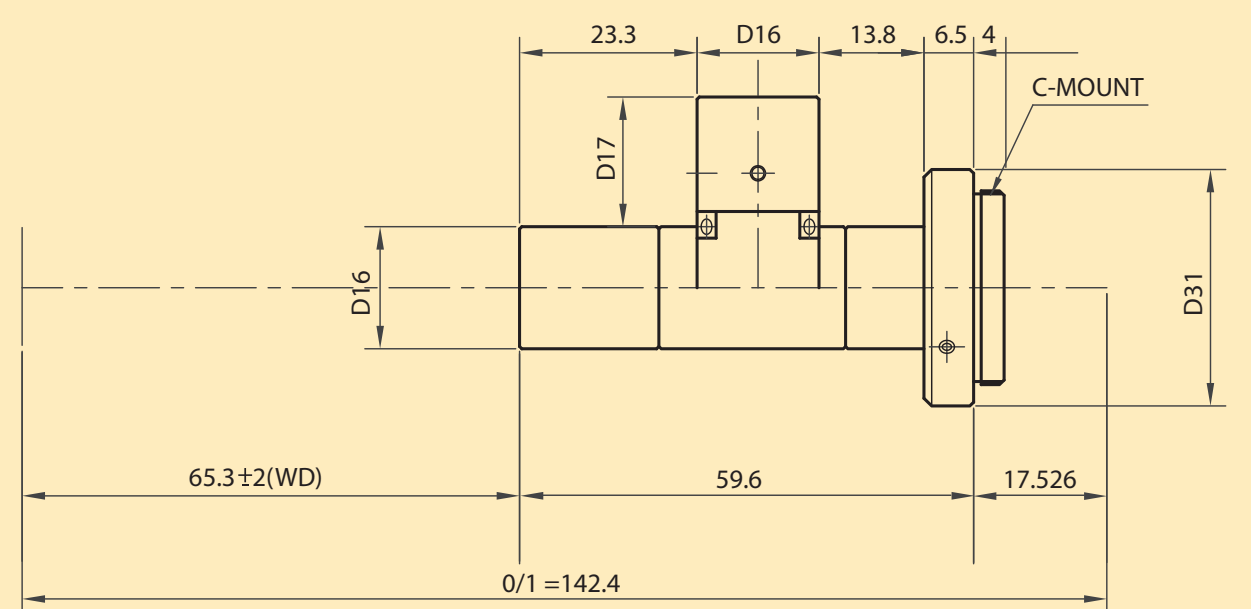
GT-TC1.5-70CO



GT-TC2-65CO



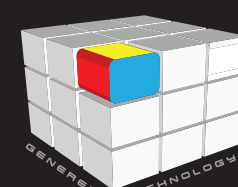
GT-TC3-65CO



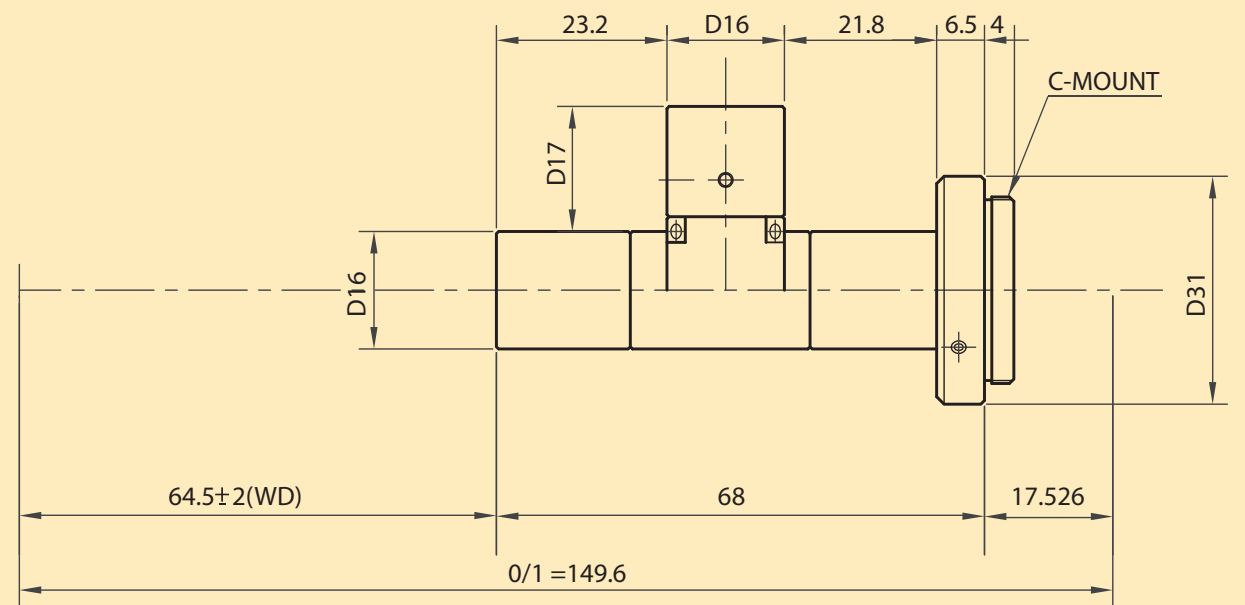
Middle WD 65~75 mm

| Model | GT-TC08-65CO | GT-TC1-65-16CO-16 | GT-TC1.5-70CO | GT-TC2-65CO | GT-TC3-65CO |
|-------------------|--------------------------|-------------------|--------------------------|----------------|--------------------------|
| Optical Mag. | 0.8x | 1.0x | 1.5x | 2.0x | 3.0x |
| FOV 2/3" (VxH mm) | - | - | 4.4x5.86 | 3.3x4.4 | - |
| FOV 1/2" (VxH mm) | 6x8 | 4.8x6.4 | 3.2x4.26 | 2.4x3.2 | 1.6x2.13 |
| FOV 1/3" (VxH mm) | - | 3.6x4.8 | 2.4x3.2 | 1.8x2.4 | 1.2x1.6 |
| WD (mm) | 65.4 | 65.9 | 69.5 | 66.7 | 65.3 |
| O/I (mm) | 182.5 | 178.8 | 150 | 147.7 | 142.4 |
| Working F/# | 10 | 14.2 | 15.6 | 15.2 | 21.4 |
| NA | 0.04 | 0.035 | 0.048 | 0.066 | 0.07 |
| DOF*1 (mm) | 1.25 | 1.14 | 0.55 | 0.3 | 0.19 |
| TV Distorion | 0.05% | Less than 0.1% | Less than 0.1% | Less than 0.1% | 0.4% |
| Co-axial Prism | Built-in | Built-in | Built-in | Built-in | Built-in |
| Weight | approx.86g | approx.61g | approx.50g | approx.49g | approx.49g |
| Sensor Size/Mount | 1/2" or smaller /C-Mount | | 2/3" or smaller /C-Mount | | 1/2" or smaller /C-Mount |

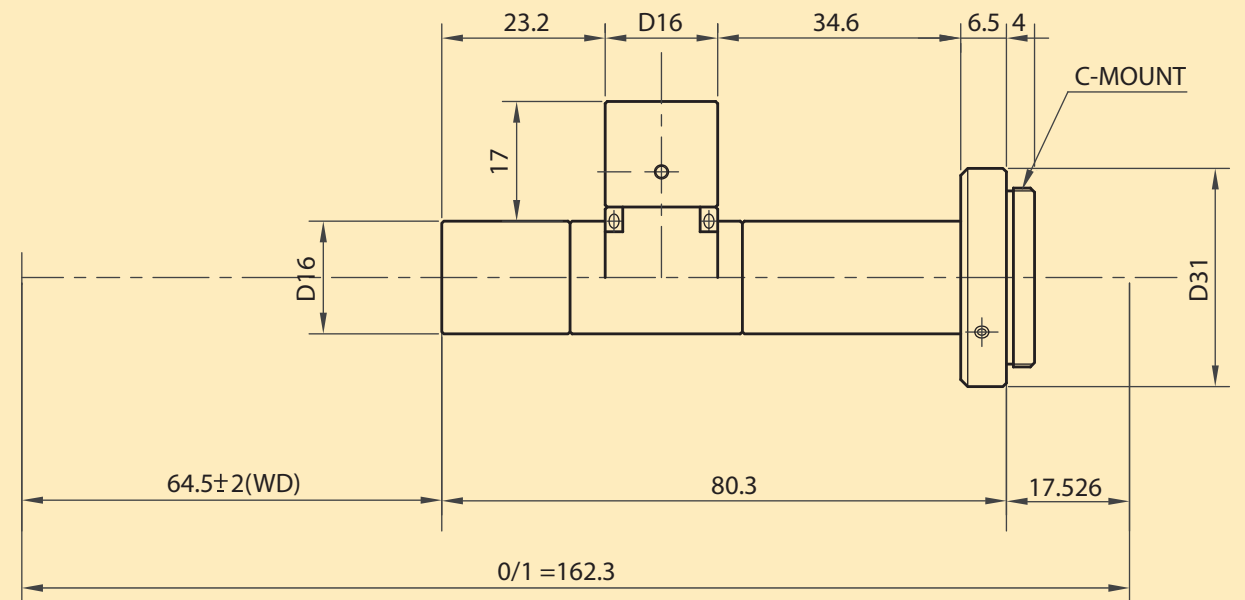
*1 Permissible COC at D0.04mm



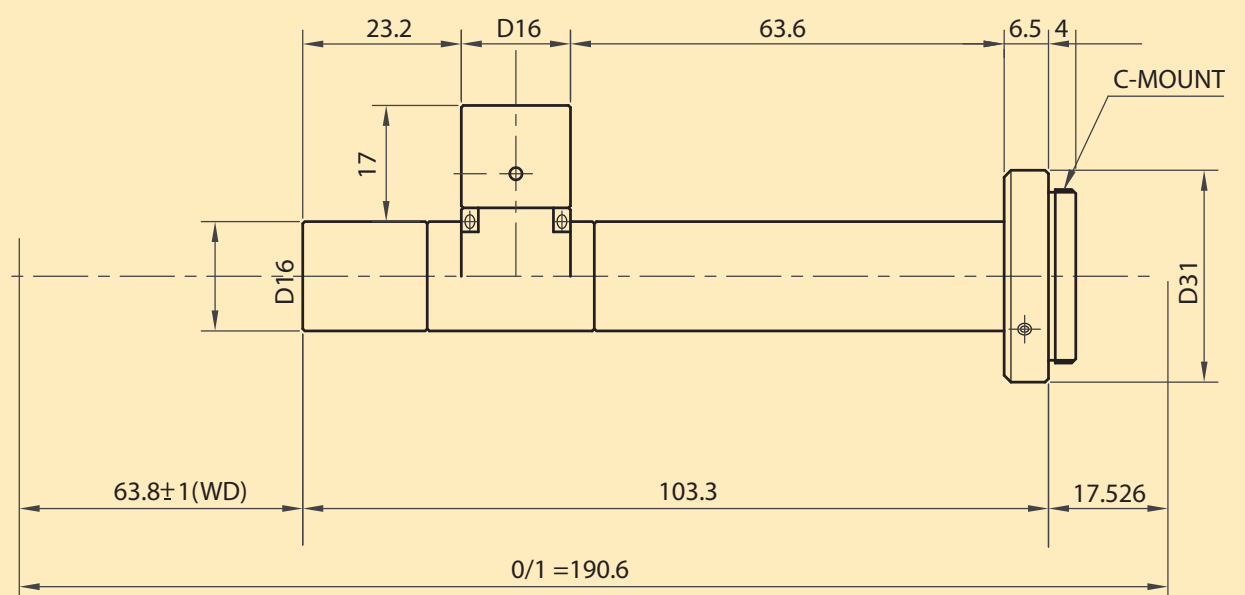
GT-TC4-65CO



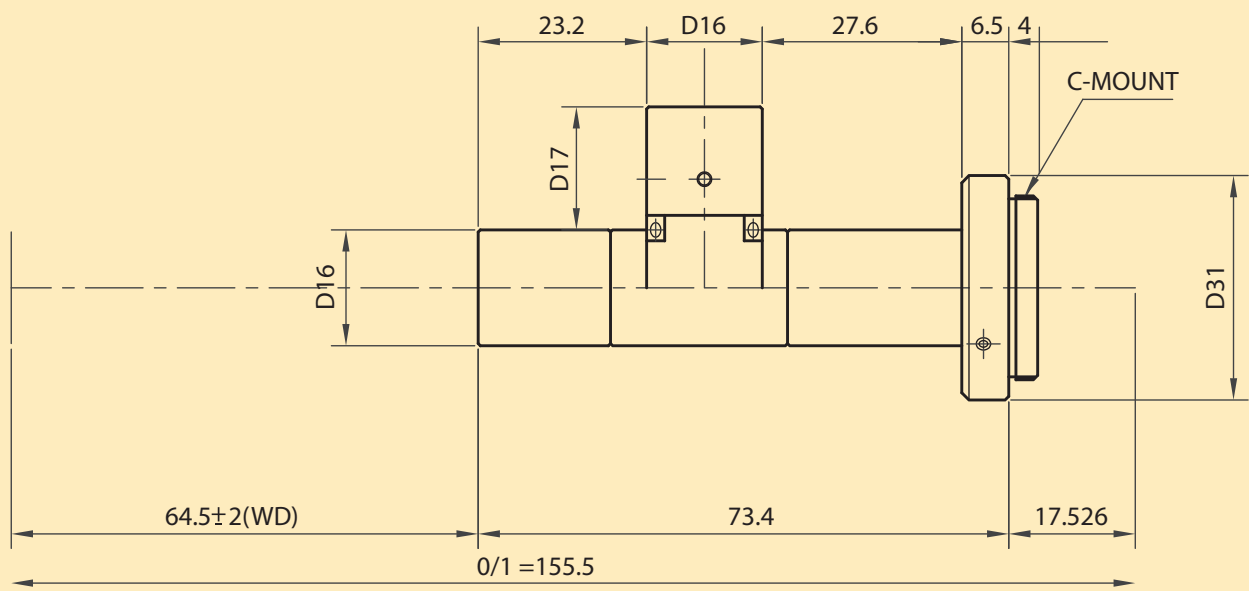
GT-TC6-65CO



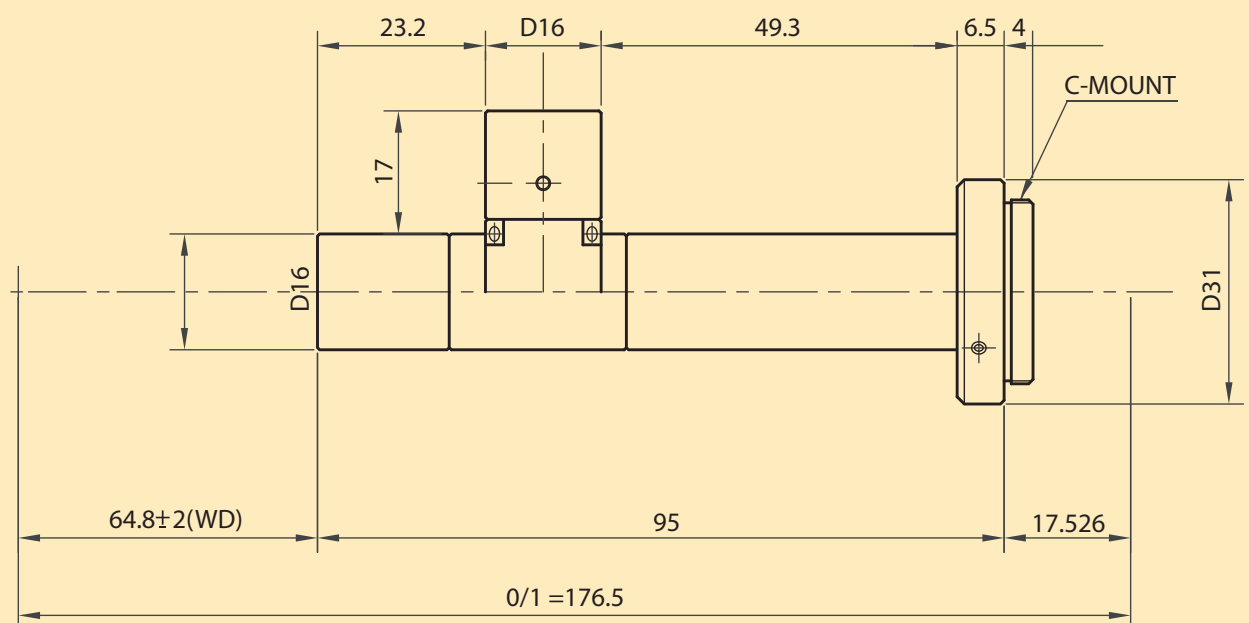
GT-TC10-65CO



GT-TC5-65CO



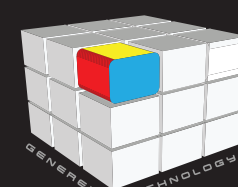
GT-TC8-65CO



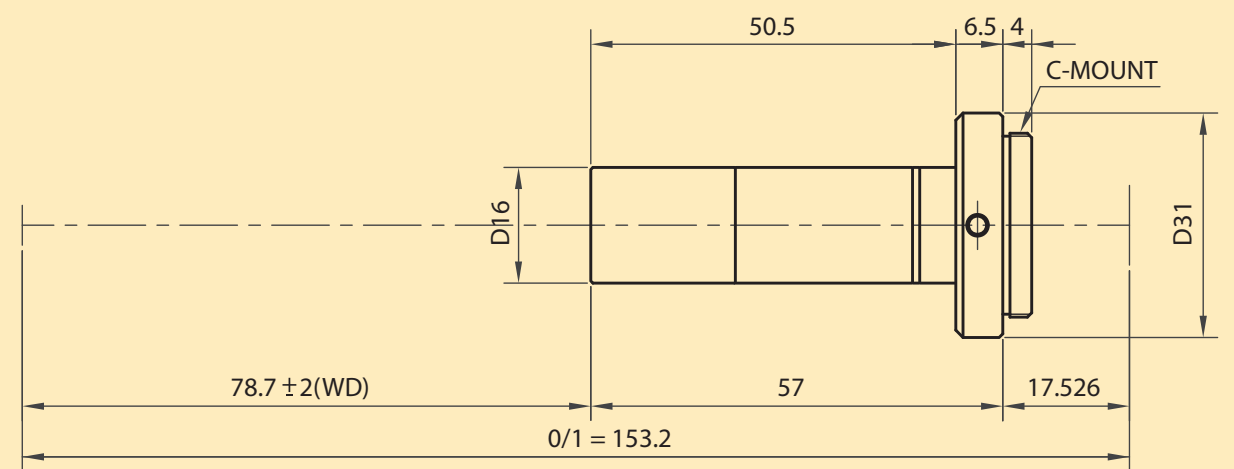
Middle WD 65~75 mm

| Model | GT-TC4-65CO | GT-TC5-65CO | GT-TC6-65CO | GT-TC8-65CO | GT-TC10-65CO |
|-------------------|--------------------------|----------------|----------------|----------------|----------------|
| Optical Mag. | 4.0x | 5.0x | 6.0x | 8.0x | 10.0x |
| FOV 2/3" (VxH mm) | 1.65x2.2 | 1.32x1.76 | 1.1x1.46 | 0.82x1.1 | - |
| FOV 1/2" (VxH mm) | 1.2x1.6 | 0.96x1.28 | 0.8x1.06 | 0.6x0.8 | 0.48x0.64 |
| FOV 1/3" (VxH mm) | 0.9x1.2 | 0.72x0.96 | 0.6x0.8 | 0.45x0.6 | 0.36x0.48 |
| WD (mm) | 64.5 | 64.6 | 64.5 | 64 | 63.8 |
| O/I (mm) | 149.6 | 155.5 | 162.5 | 176.5 | 190.6 |
| Working F/# | 27.4 | 32.8 | 39.4 | 52.6 | 65.7 |
| NA | 0.073 | 0.076 | 0.076 | 0.076 | 0.076 |
| DOF*1 (mm) | 0.13 | 0.1 | 0.09 | 0.07 | 0.05 |
| TV Distortion | 0.4% | Less than 0.1% | Less than 0.1% | Less than 0.1% | Less than 0.1% |
| Co-axial Prism | - | Built-in | - | - | - |
| Weight | approx.51g | approx.54g | approx.56g | approx.60g | approx.63g |
| Sensor Size/Mount | 2/3" or smaller /C-Mount | | | | |

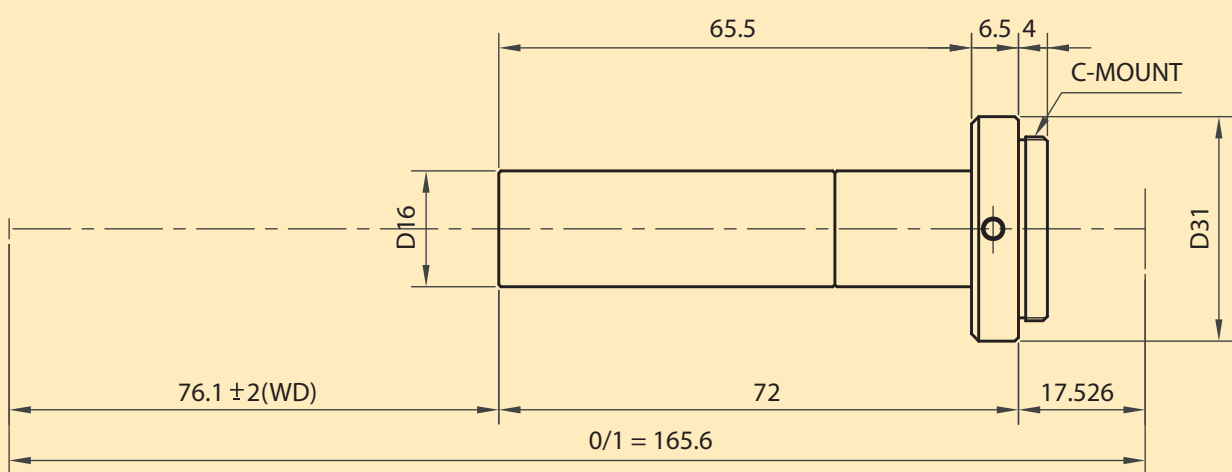
*1 Permissible COC at D0.04mm



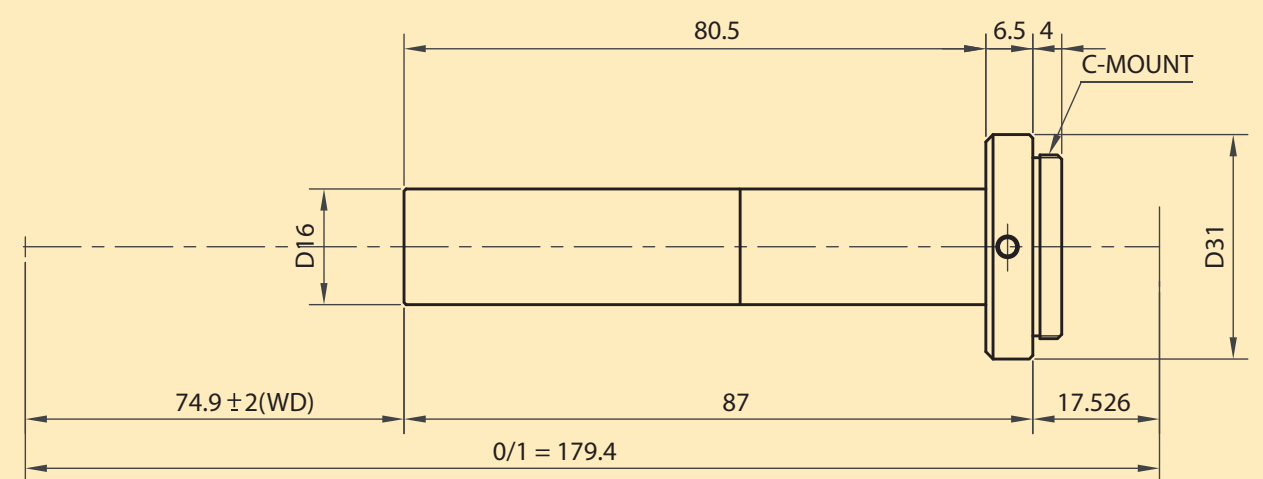
GT-TC2-75



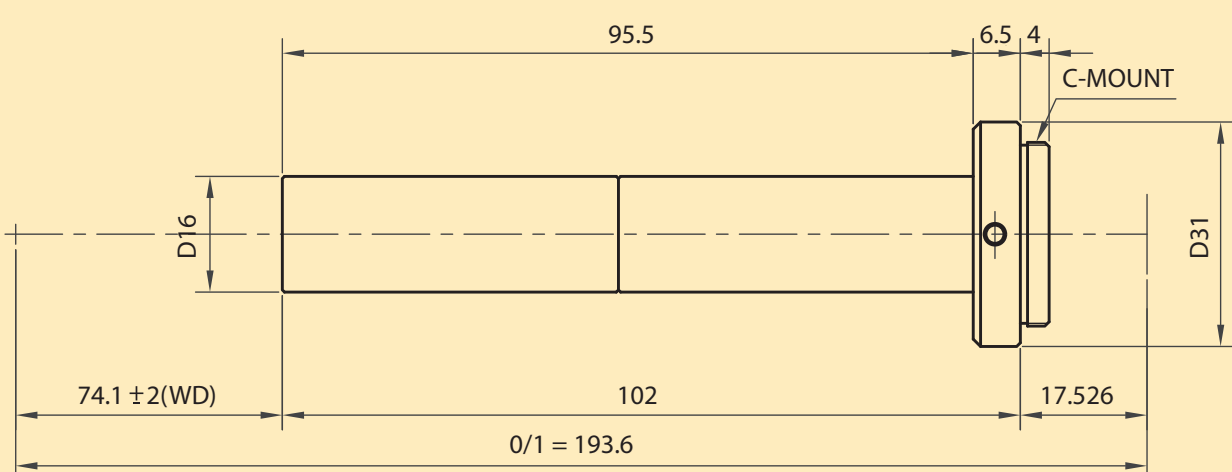
GT-TC3-75



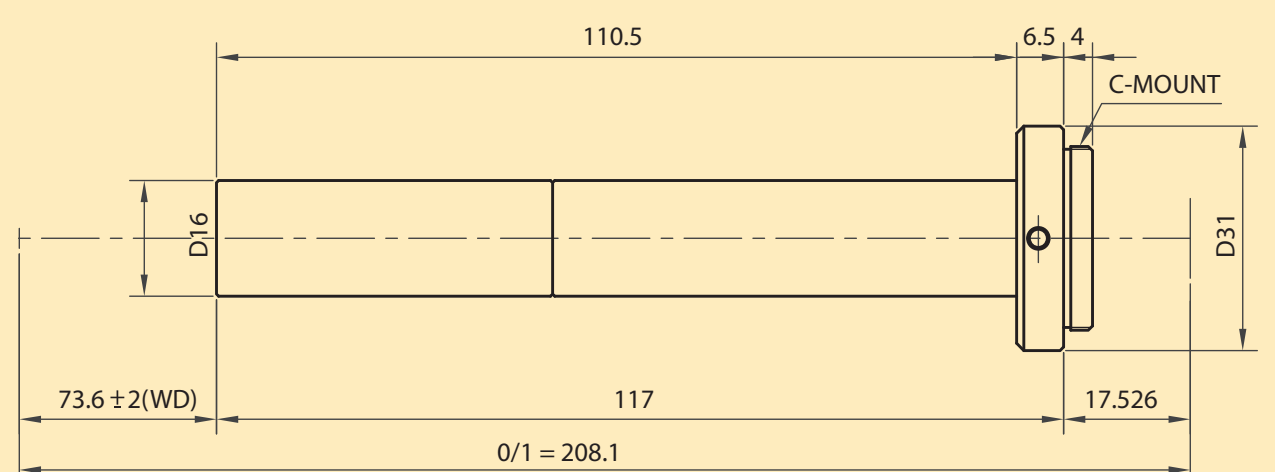
GT-TC4-75



GT-TC5-75

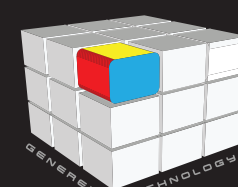


GT-TC6-75

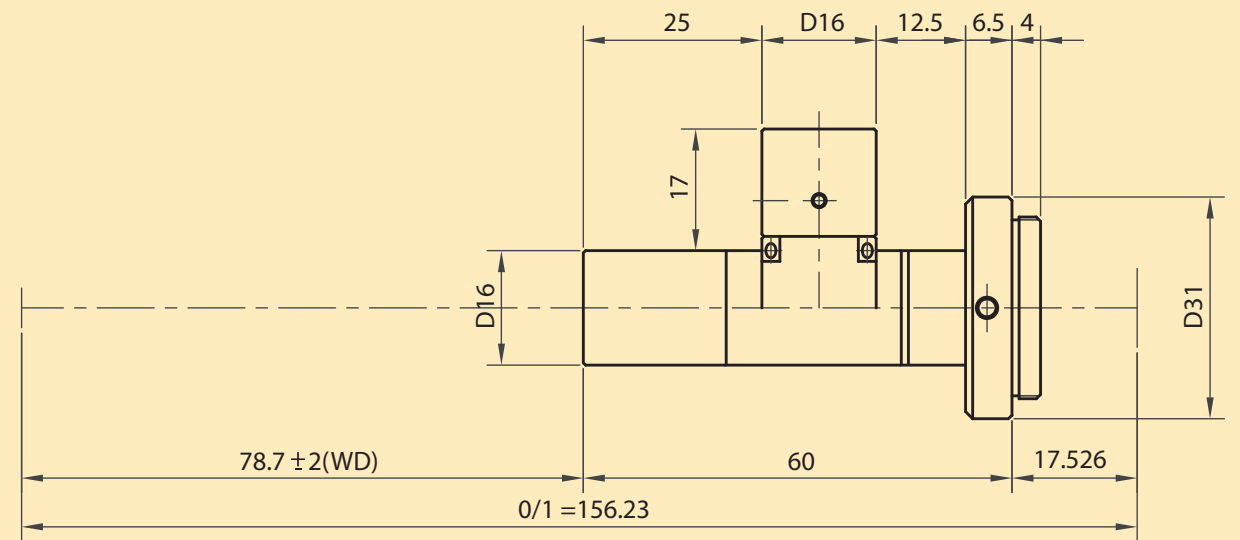


| Model | GT-TC2-75 | GT-TC3-75 | GT-TC4-75 | GT-TC5-75 | GT-TC6-75 |
|-------------------|--------------------------|----------------|----------------|----------------|----------------|
| Optical Mag. | 2.0x | 3.0x | 4.0x | 5.0x | 6.0x |
| FOV (VxH)mm | 2.4x3.2 | 1.6x2.13 | 1.2x1.6 | 0.96x1.28 | 0.8x1.1 |
| 1/2" | 1.8x2.4 | 1.2x1.6 | 0.9x1.2 | 0.72x0.96 | 0.6x0.8 |
| 1/3" | | | | | |
| WD (mm) | 78.7 | 76.1 | 74.9 | 74.1 | 73.6 |
| O/I (mm) | 153.2 | 165.6 | 179.4 | 193.6 | 208.1 |
| Working F/# | 14.3 | 21.4 | 28.6 | 37.1 | 42.9 |
| NA | 0.07 | 0.07 | 0.07 | 0.07 | 0.07 |
| DOF*1(mm) | 0.29 | 0.19 | 0.14 | 0.11 | 0.1 |
| TV Distortion | Less than 0.4% | Less than 0.4% | Less than 0.4% | Less than 0.4% | Less than 0.4% |
| Co-axial Prism | - | - | - | - | - |
| Weight | approx.35g | approx.40g | approx.43g | approx.48g | approx.52g |
| Sensor Size/Mount | 1/2" or smaller /C-Mount | | | | |

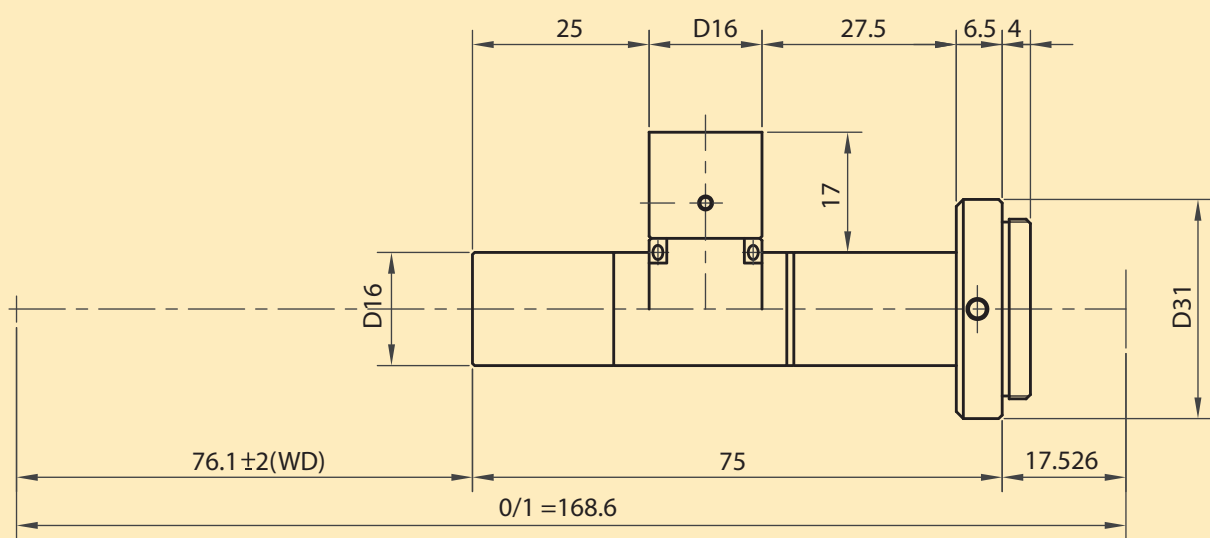
*1 Permissible COC at D0.04mm



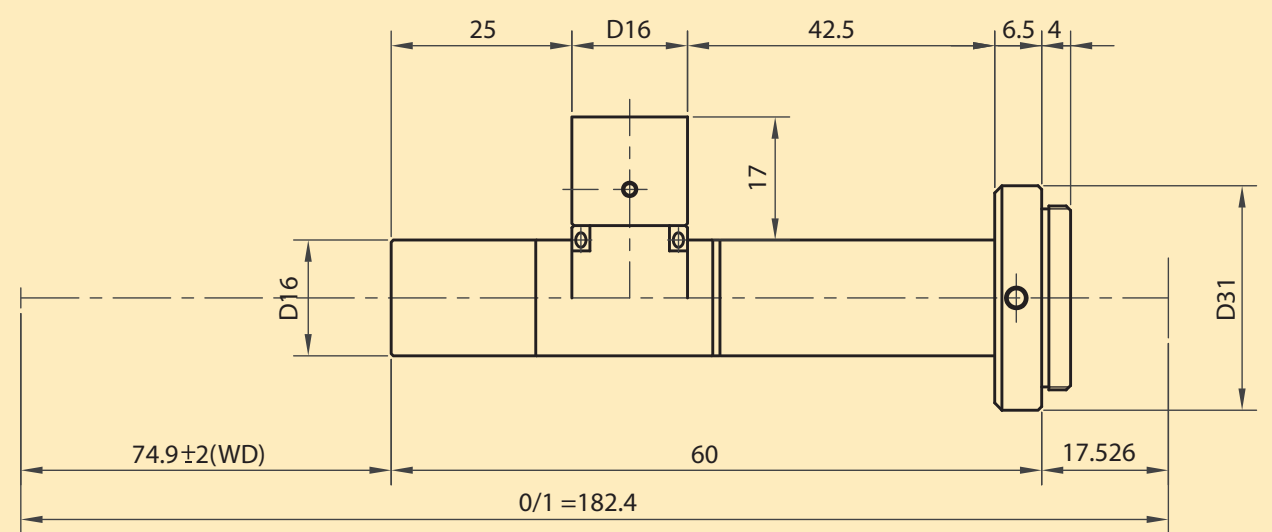
GT-TC2-75CO



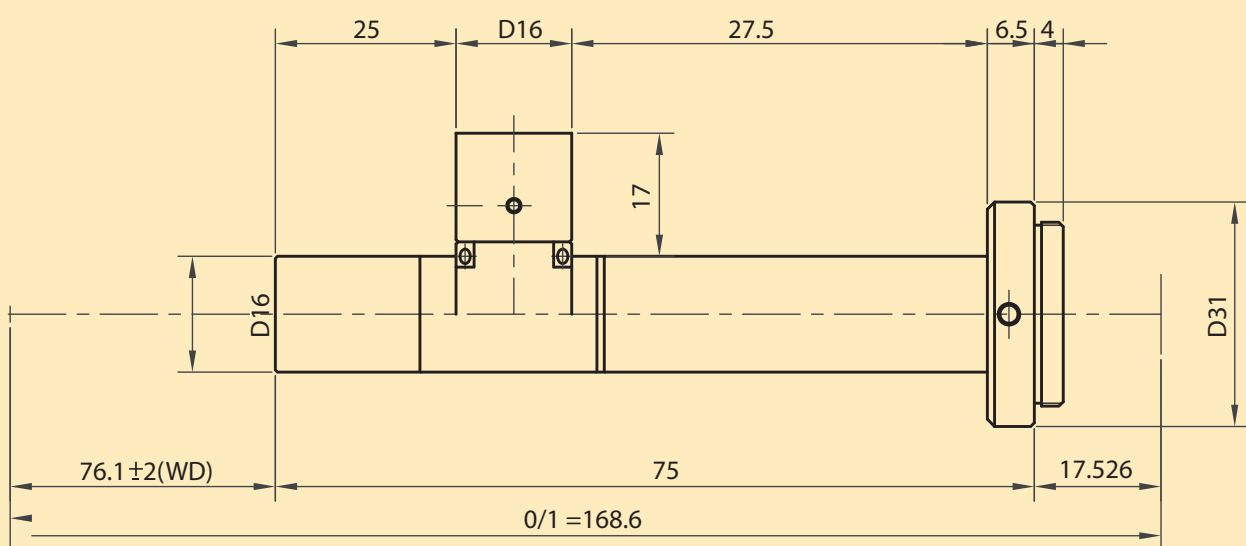
GT-TC3-75CO



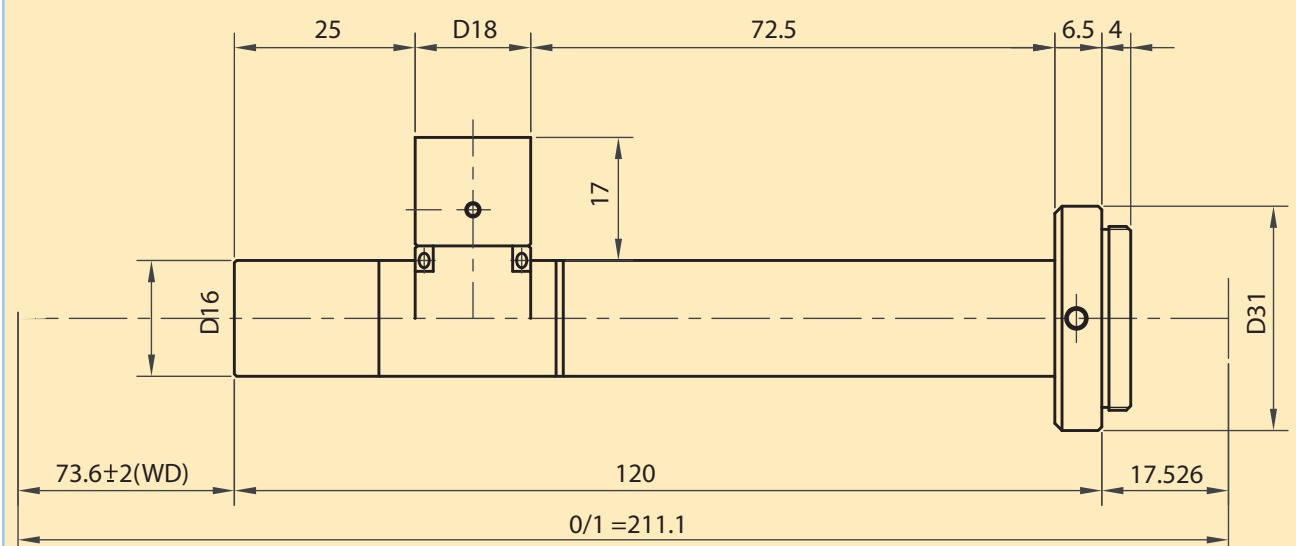
GT-TC4-75CO



GT-TC5-75CO



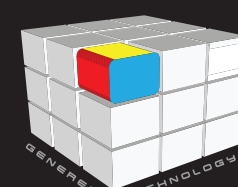
GT-TC6-75CO



| Model | GT-TC2-75CO | GT-TC3-75CO | GT-TC4-75CO | GT-TC5-75CO | GT-TC6-75CO |
|-------------------|--------------------------|----------------|----------------|----------------|----------------|
| Optical Mag. | 2.0x | 3.0x | 4.0x | 5.0x | 6.0x |
| FOV (VxHmm) 1/2" | 2.4x3.2 | 1.6x2.13 | 1.2x1.6 | 0.96x1.28 | 0.8x1.1 |
| 1/3" | 1.8x2.4 | 1.2x1.6 | 0.9x1.2 | 0.72x0.96 | 0.6x0.8 |
| WD (mm) | 78.7 | 76.1 | 74.9 | 74.1 | 73.6 |
| O/I (mm) | 156.2 | 168.6 | 182.4 | 196.6 | 211.1 |
| Working F/# | 14.3 | 21.4 | 28.6 | 37.1 | 42.9 |
| NA | 0.07 | 0.07 | 0.07 | 0.07 | 0.07 |
| DOF*1(mm) | 0.29 | 0.19 | 0.14 | 0.11 | 0.1 |
| TV Distortion | Less than 0.4% | Less than 0.4% | Less than 0.4% | Less than 0.4% | Less than 0.4% |
| Co-axial Prism | Built-in | Built-in | Built-in | Built-in | Built-in |
| Weight | approx.45g | approx.50g | approx.54g | approx.58g | approx.62g |
| Sensor Size/Mount | 1/2" or smaller /C-Mount | | | | |

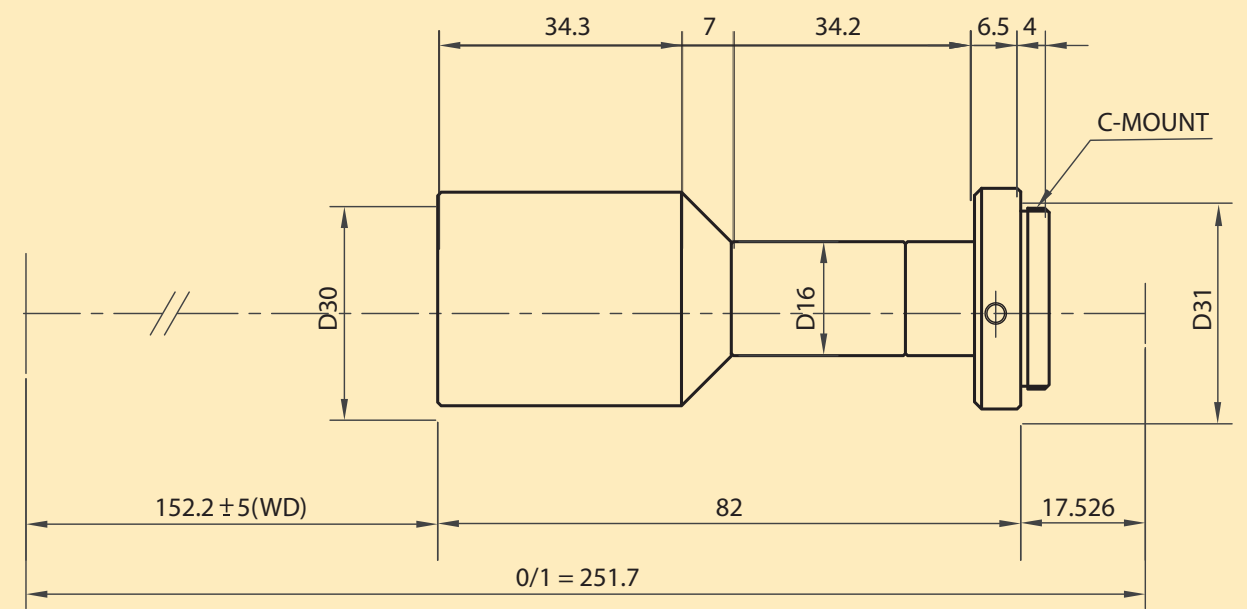
*1 Permissible COC at D0.04mm

Middle WD 75 mm

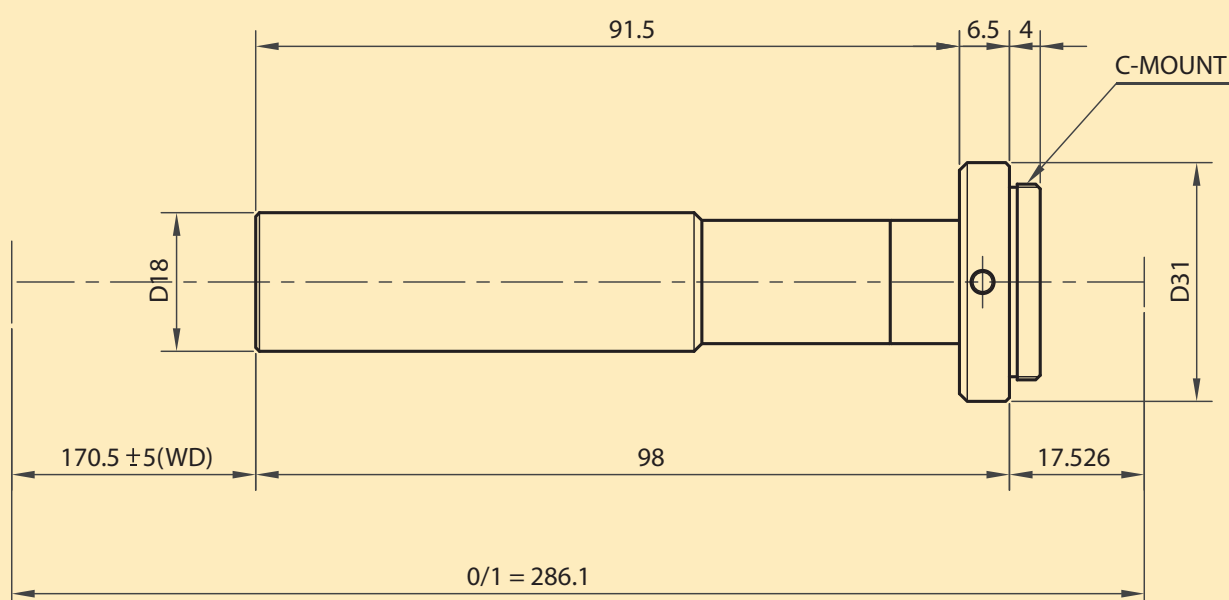


Long WD 110~170 mm

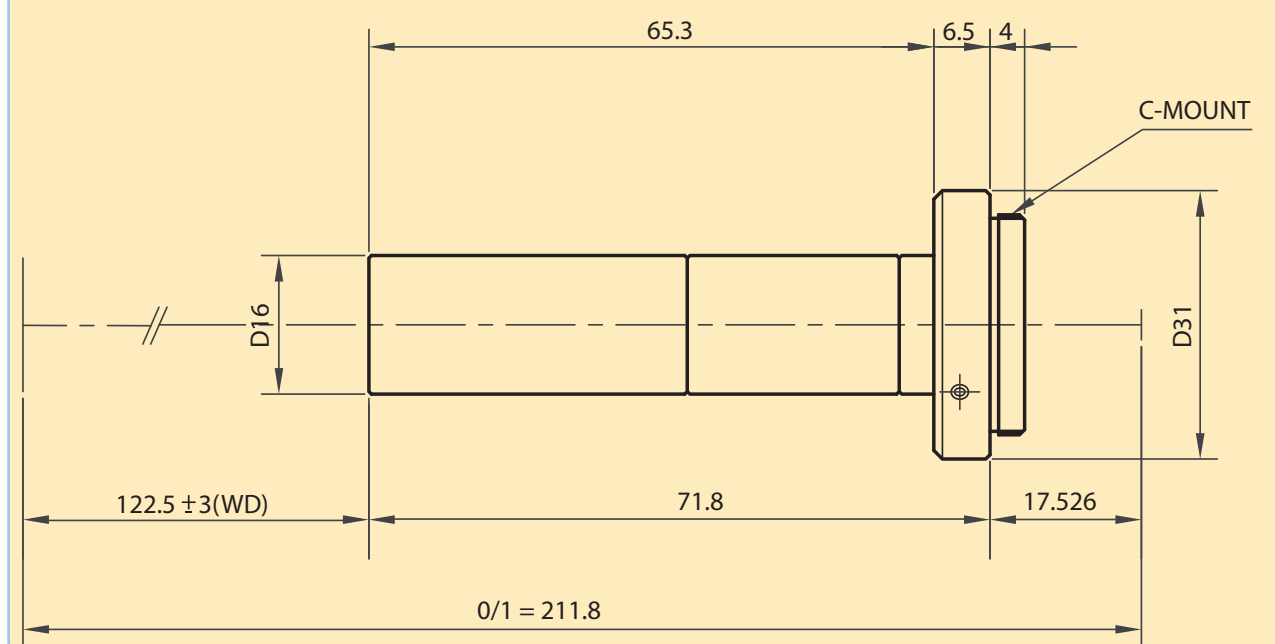
GT-TC05-150



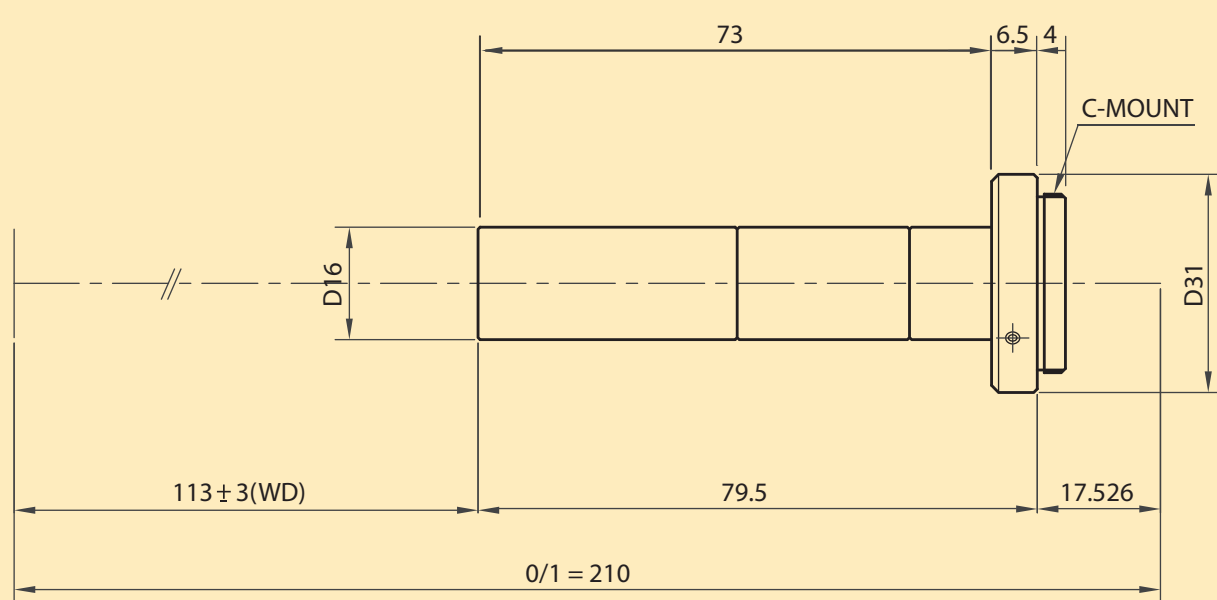
GT-TC06-170



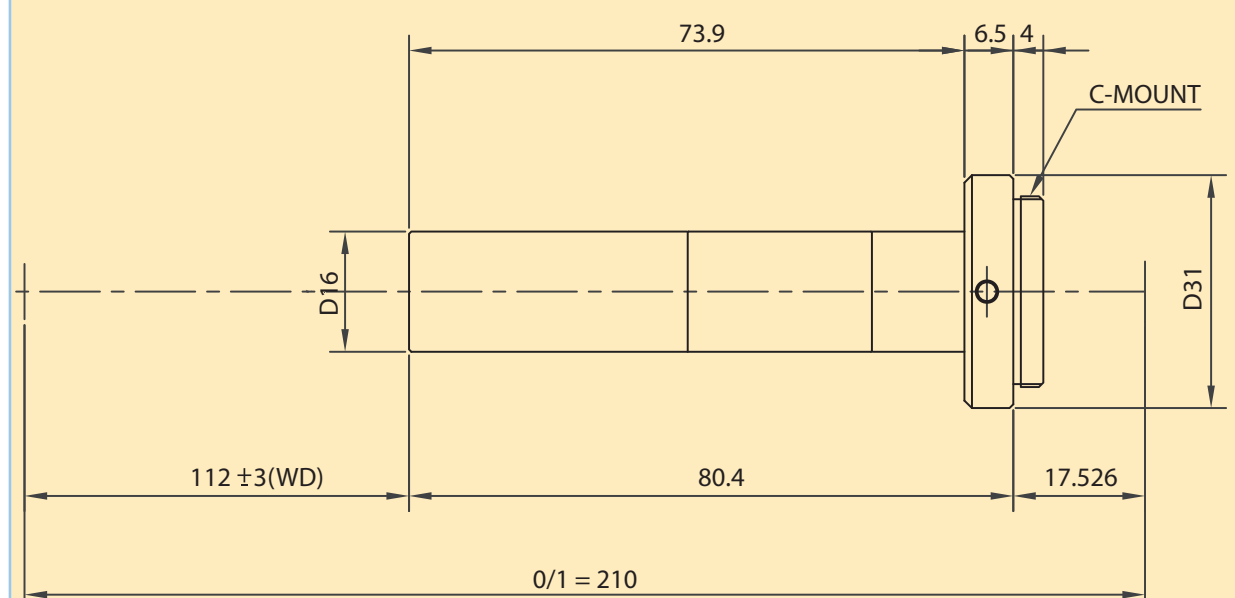
GT-TC08-120



GT-TC1-110

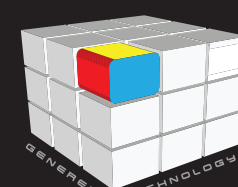


GT-TC1.5N-110



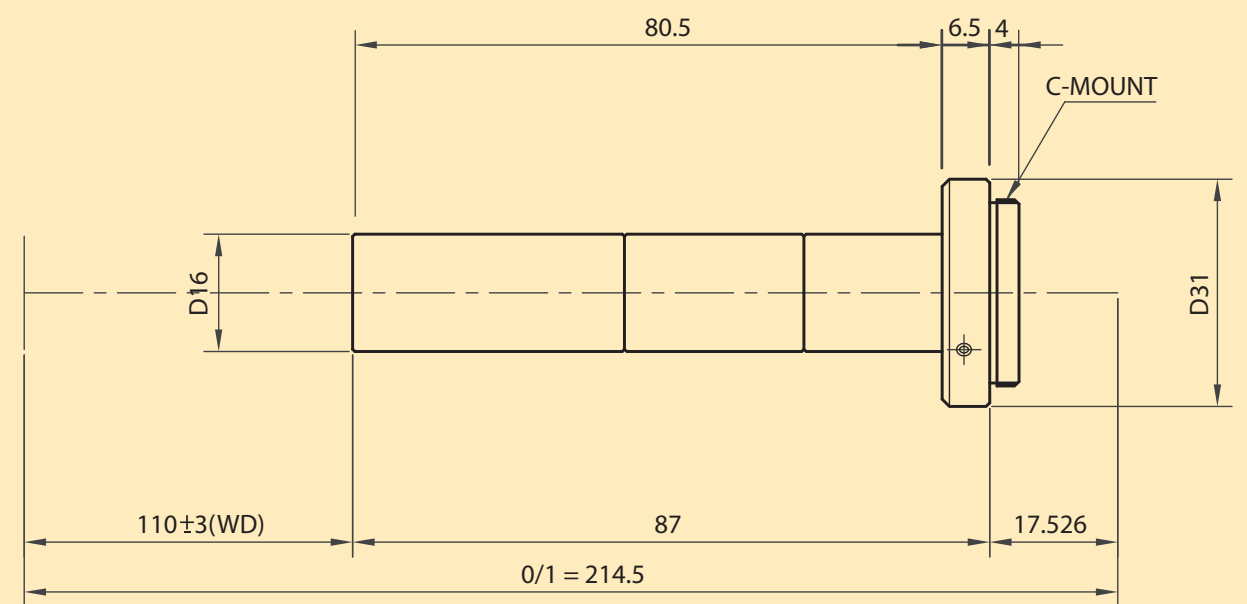
| Model | GT-TC05-150 | GT-TC06-5-170 | GT-TC08-120 | GT-TC1-110 | GT-TC1.5N-110 |
|-------------------|-----------------------------|-----------------------------|-----------------------------|-----------------------------|-----------------------------|
| Optical Mag. | 0.5x | 0.6x | 0.8x | 1.0x | 1.5x |
| FOV 2/3" (VxH mm) | - | - | - | 6.6x8.8 | (4.4x5.9) |
| FOV 1/2" (VxH mm) | 9.6x12.8 | - | 6x8 | 4.8x6.4 | 3.2x4.3 |
| FOV 1/3" (VxH mm) | 7.2x9.6 | 6x8 | 4.5x6 | 3.6x4.8 | 2.4x3.2 |
| WD (mm) | 152.2 | 171 | 122.5 | 113 | 112 |
| O/I (mm) | 251.7 | 286 | 211.8 | 210 | 210 |
| Working F/# | 12.5 | 30 | 18 | 20 | 19 |
| NA | 0.02 | 0.01 | 0.022 | 0.025 | 0.04 |
| DOF*1 (mm) | 4 | 6.6 | 2.25 | 1.6 | 0.68 |
| TV Distortion | Less than 0.1% | Less than 0.1% | Less than 0.1% | Less than 0.1% | Less than 0.2% |
| Co-axial Prism | - | - | - | - | - |
| Weight | approx.83g | approx.53g | approx.49g | approx.46g | approx.49g |
| Sensor Size/Mount | 1/2" or smaller /C-Mount | 1/3" or smaller /C-Mount | 1/2" or smaller /C-Mount | 2/3" or smaller /C-Mount | 1/2" or smaller /C-Mount |

*1 Permissible COC at D0.04mm

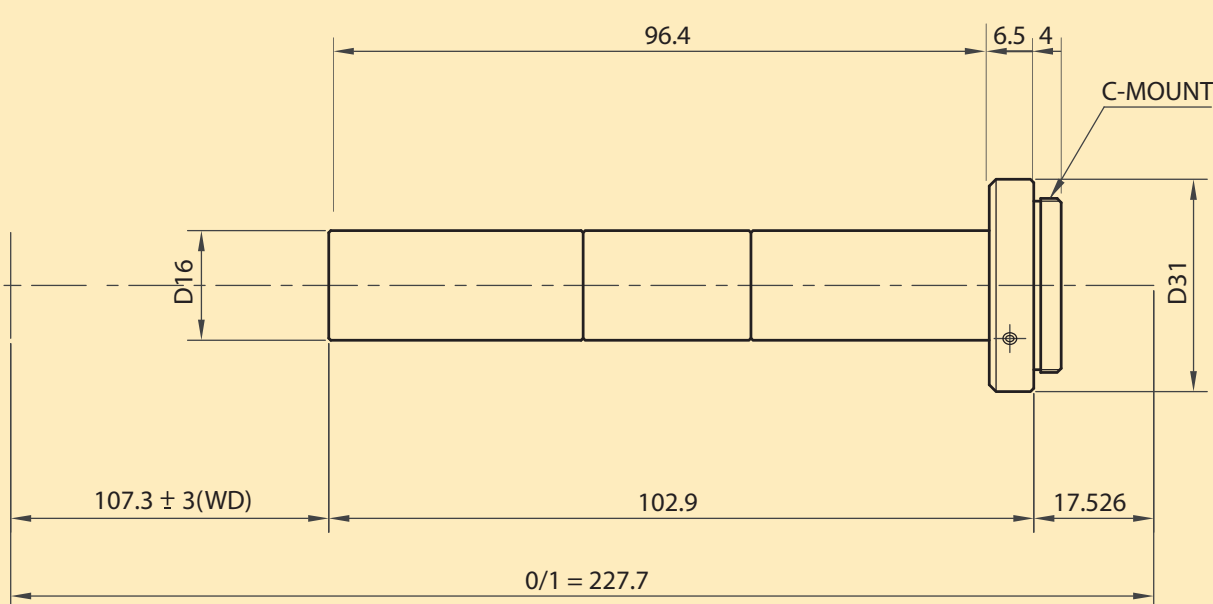


Long WD 110~170 mm

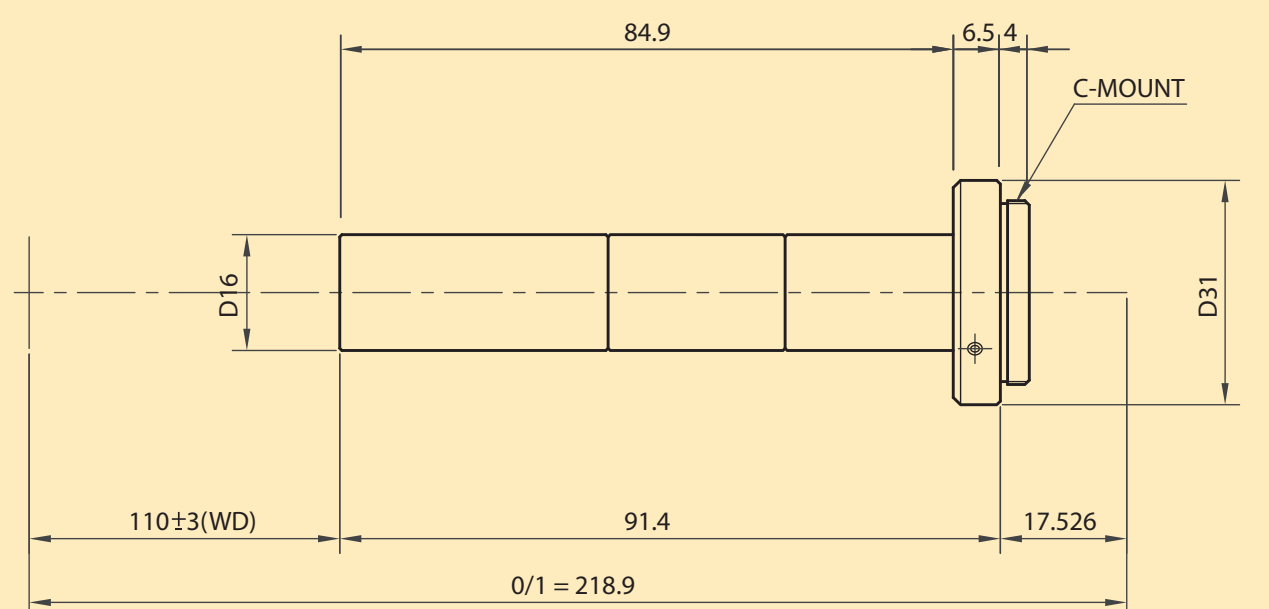
GT-TC2-110



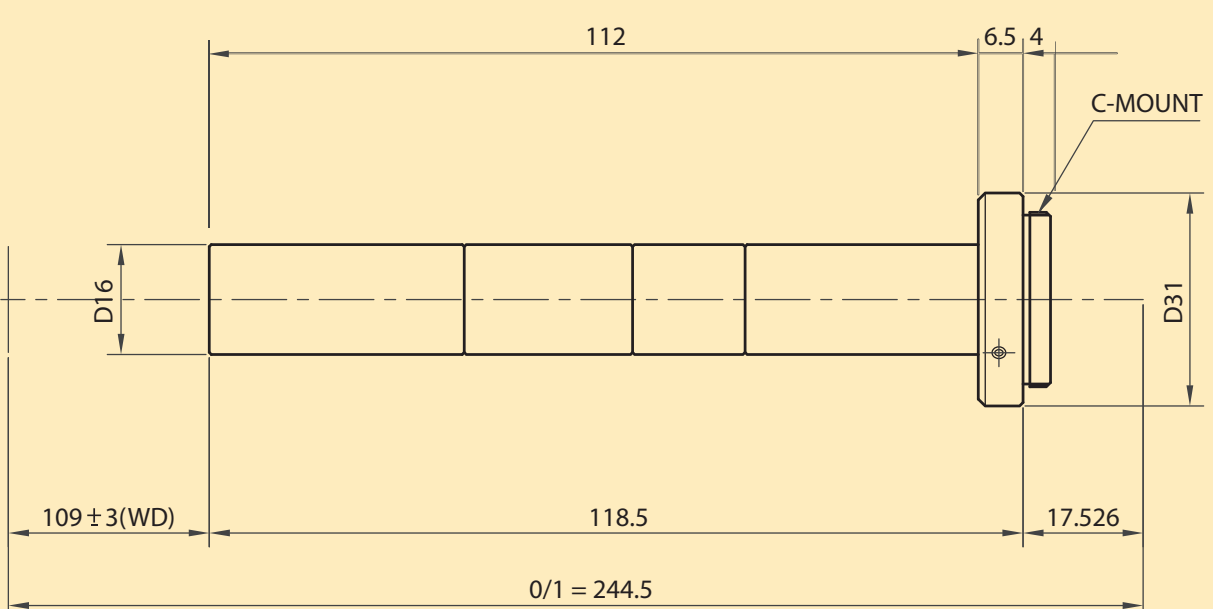
GT-TC3-110



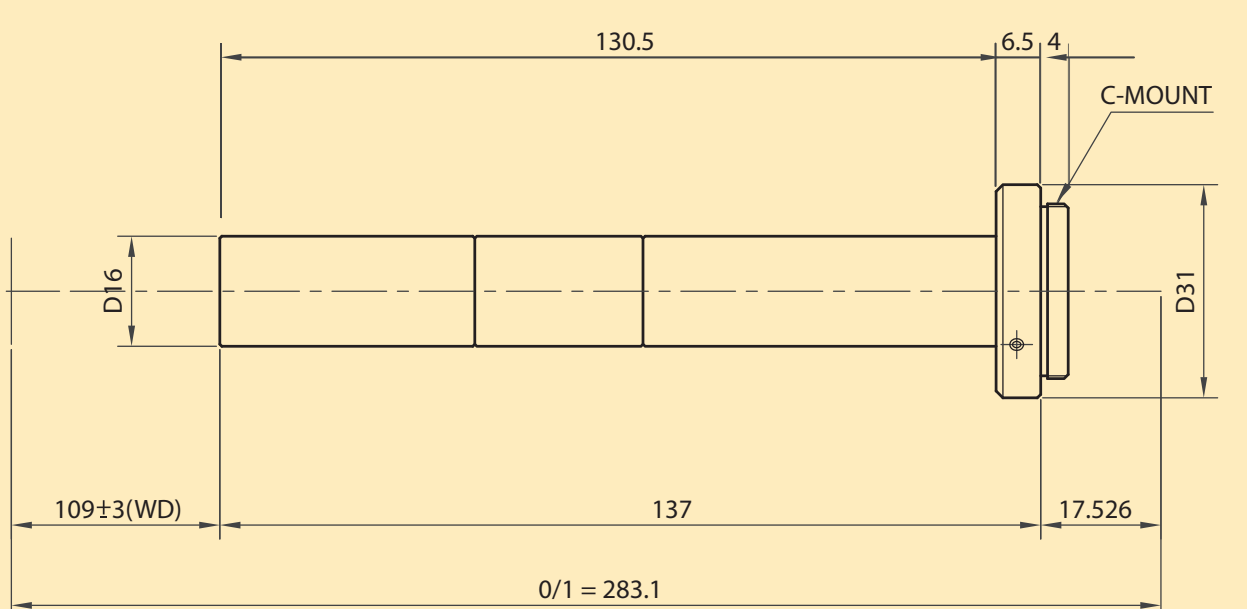
GT-TC4-110



GT-TC6-110

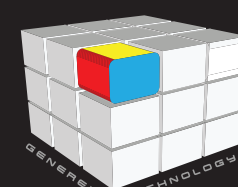


GT-TC8-110

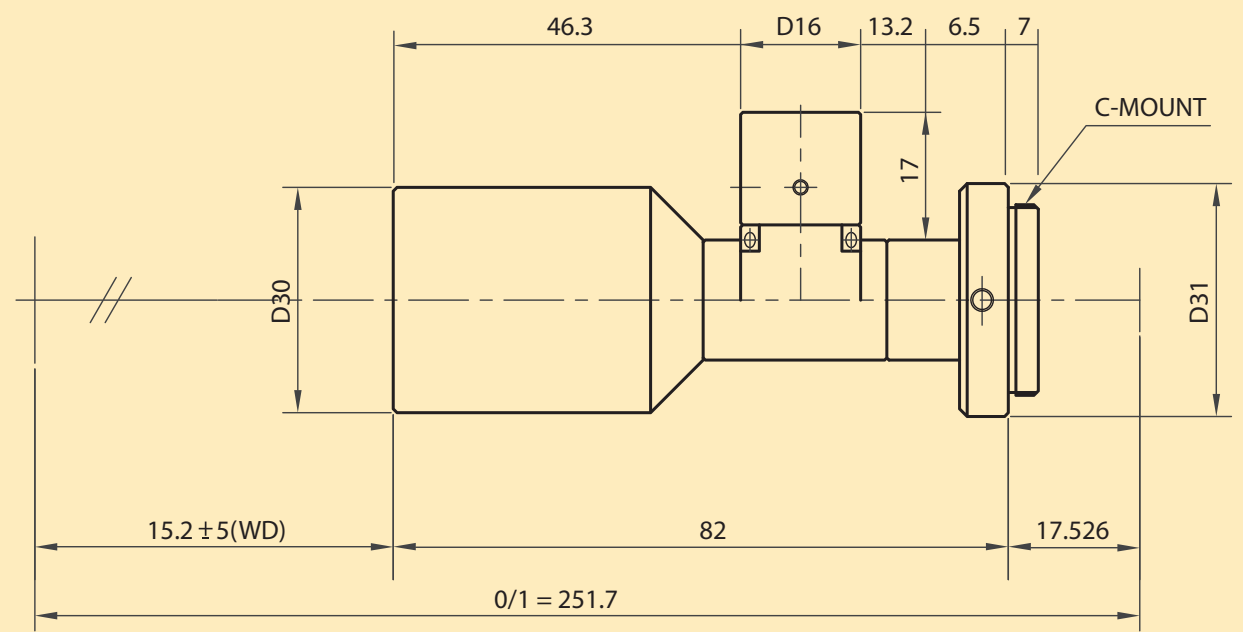


| Model | GT-TC2-110 | GT-TC3-110 | GT-TC4-110 | GT-TC6-110 | GT-TC8-110 |
|-------------------|--------------------------|----------------|----------------|----------------|----------------|
| Optical Mag. | 2.0x | 0.6x | 4.0x | 6.0x | 8.0x |
| FOV 2/3" (VxH mm) | 3.3x4.4 | - | 1.65x2.2 | 1.1x1.46 | 0.82x1.1 |
| FOV 1/2" (VxH mm) | 2.4x3.2 | - | 1.2x1.6 | 0.8x1.06 | 0.6x0.8 |
| FOV 1/3" (VxH mm) | 1.8x2.4 | 6x8 | 0.9x1.2 | 0.6x0.8 | 0.45x0.6 |
| WD (mm) | 110 | 171 | 110 | 109.5 | 109.1 |
| O/I (mm) | 214.5 | 286 | 218.9 | 245.5 | 263.6 |
| Working F/# | 25 | 30 | 40 | 60 | 80 |
| NA | 0.04 | 0.01 | 0.05 | 0.05 | 0.05 |
| DOF*1 (mm) | 0.5 | 6.6 | 0.2 | 0.133 | 0.1 |
| TV Distortion | Less than 0.1% | Less than 0.1% | Less than 0.1% | Less than 0.1% | Less than 0.1% |
| Co-axial Prism | - | - | - | - | - |
| Weight | approx.50g | approx.53g | approx.52g | approx.63g | approx.61g |
| Sensor Size/Mount | 2/3" or smaller /C-Mount | | | | |

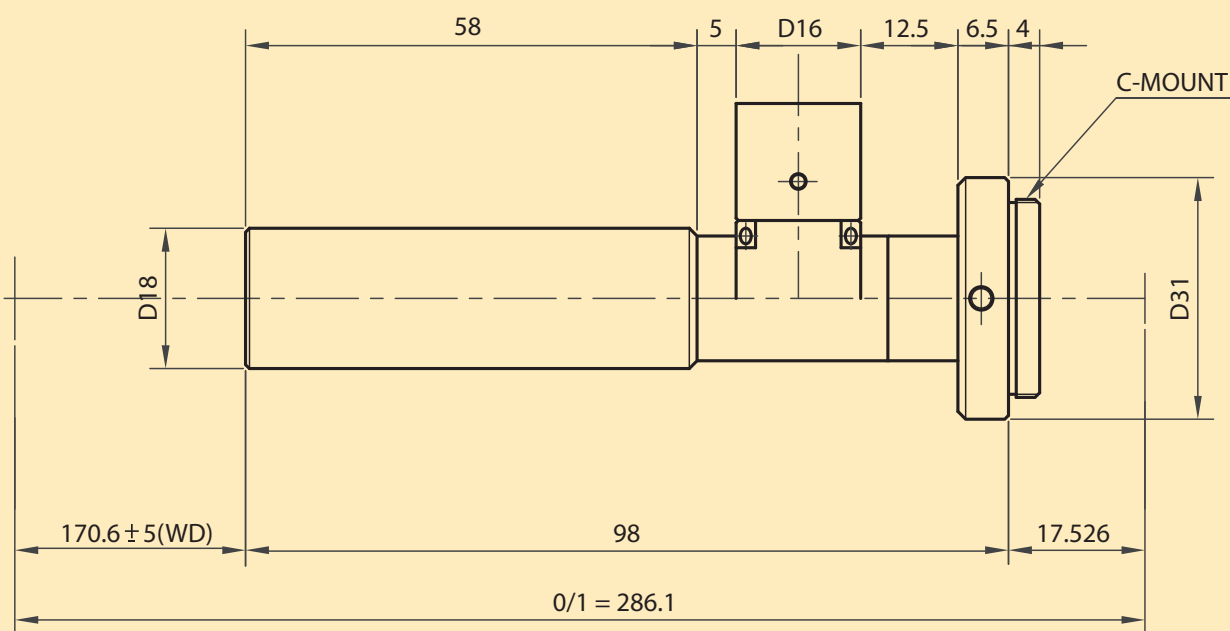
*1 Permissible COC at D0.04mm



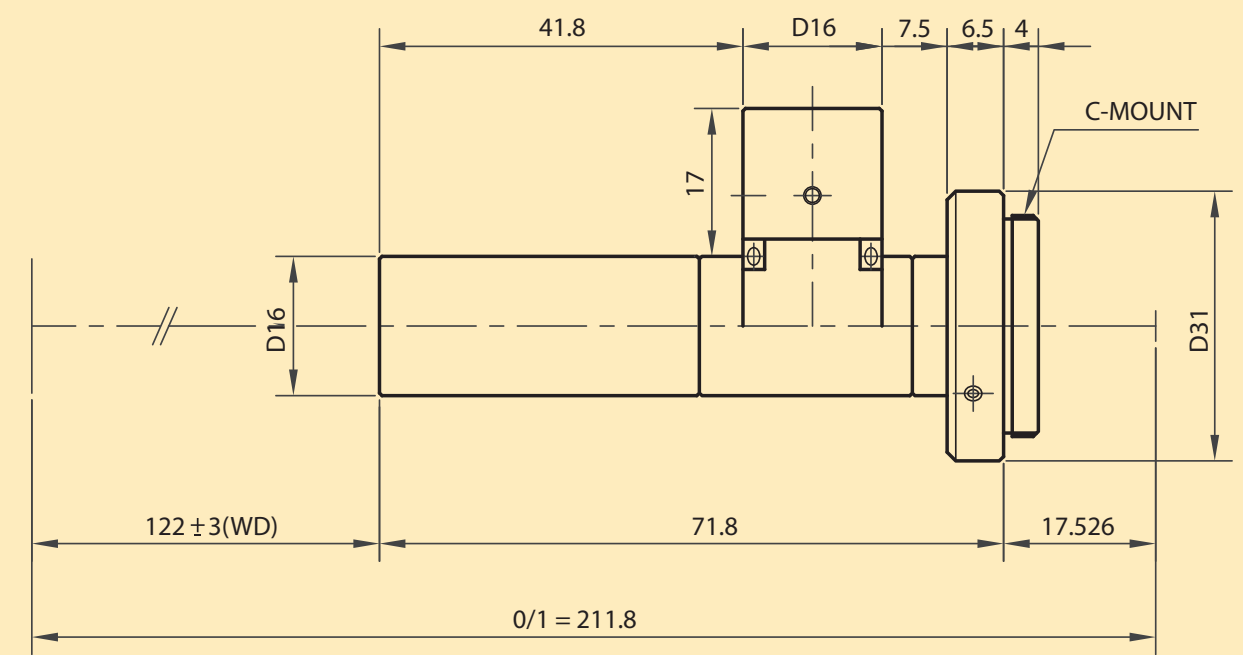
GT-TC05-150CO



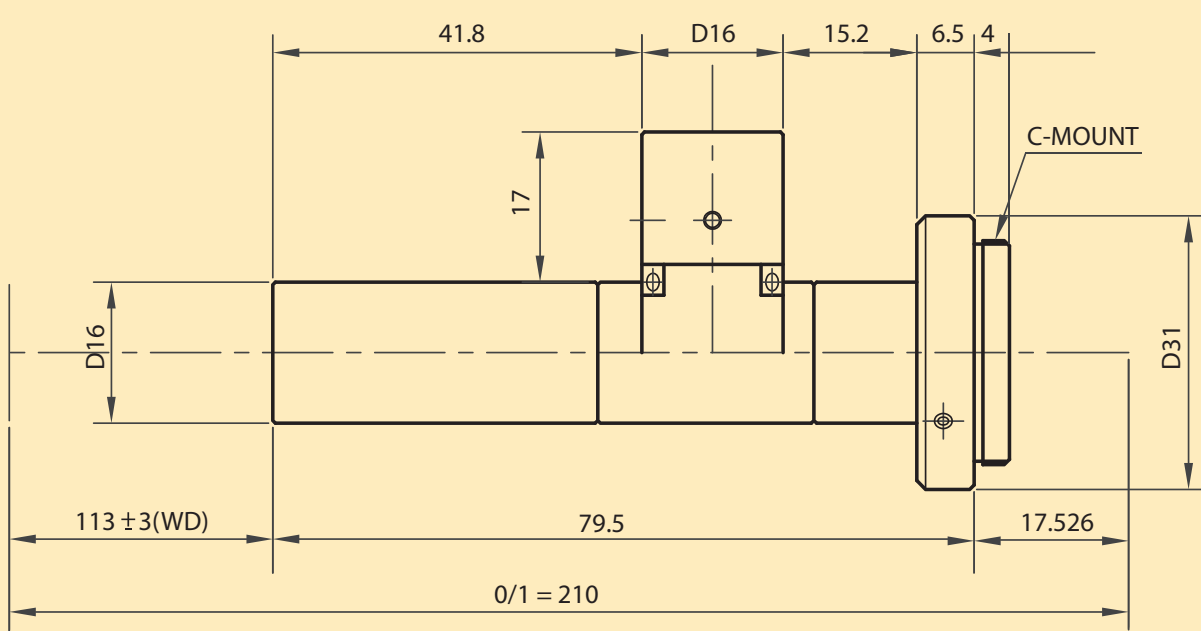
GT-TC06-170CO



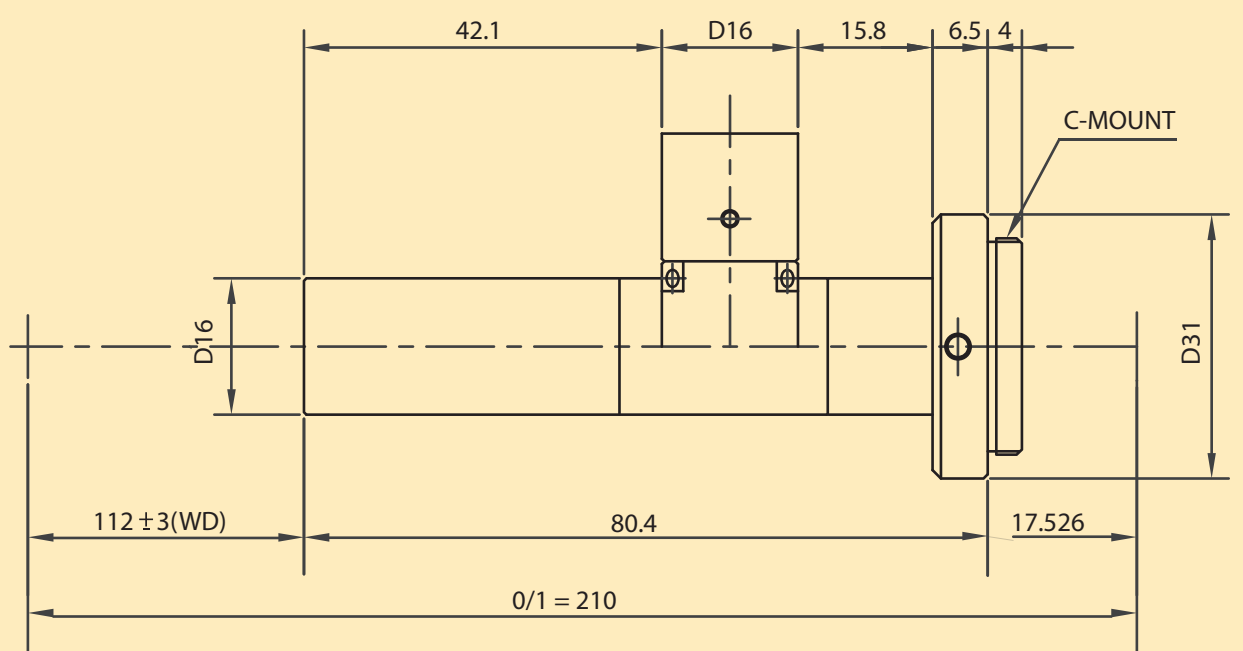
GT-TC08-120CO



GT-TC1-110CO



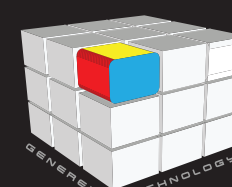
GT-TC1.5N-110CO



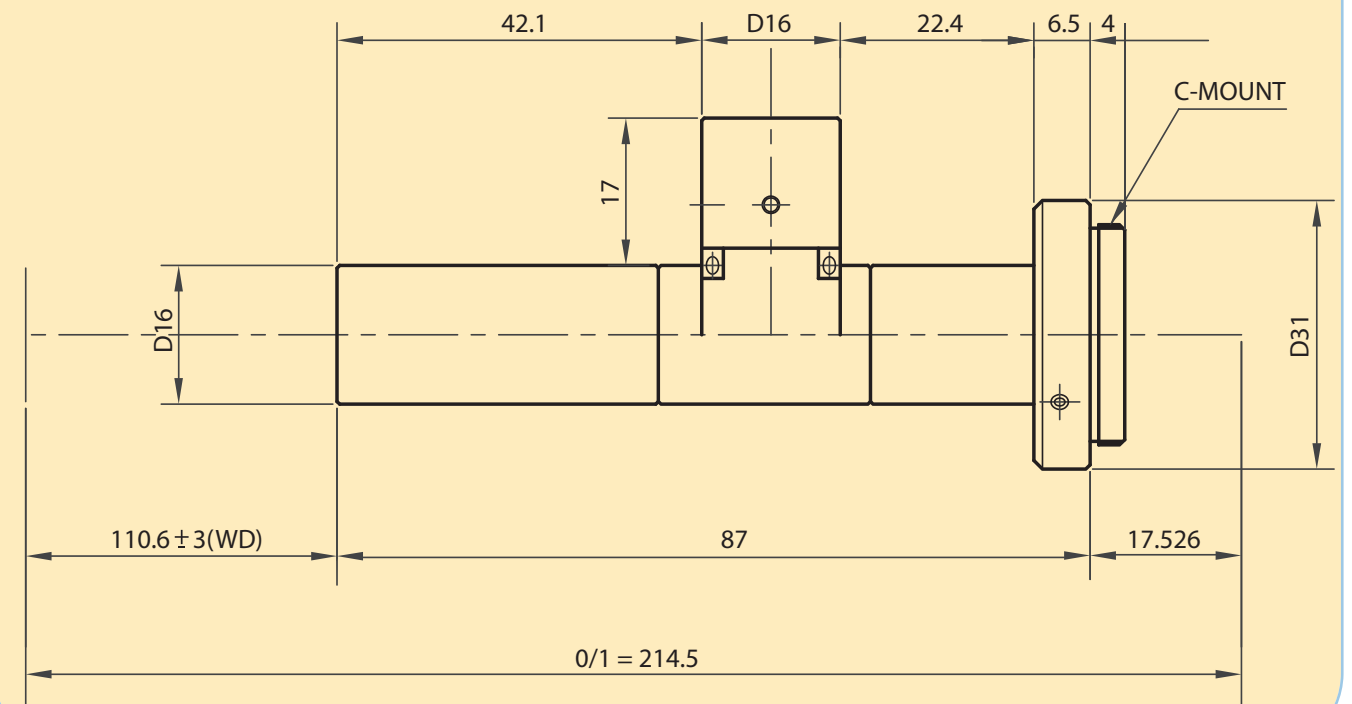
Long WD 110~170mm

| Model | GT-TC05-150CO | GT-TC06-170CO | GT-TC08-120CO | GT-TC1-110CO | GT-TC1.5N-110CO |
|-------------------|-----------------------------|-----------------------------|-----------------------------|-----------------------------|-----------------------------|
| Optical Mag. | 0.5x | 0.6x | 0.8x | 1.0x | 1.5x |
| FOV 2/3" (VxH mm) | - | - | - | 6.6x8.8 | (4.4x5.9) |
| FOV 1/2" (VxH mm) | 9.6x12.8 | - | 6x8 | 4.8x6.4 | 3.2x4.3 |
| FOV 1/3" (VxH mm) | 7.2x9.6 | 6x8 | 4.5x6 | 3.6x4.8 | 2.4x3.2 |
| WD (mm) | 152.2 | 171 | 122.5 | 113 | 112 |
| O/I (mm) | 251.7 | 286 | 211.8 | 210 | 210 |
| Working F/# | 12.5 | 30 | 18 | 20 | 19 |
| NA | 0.02 | 0.01 | 0.022 | 0.025 | 0.04 |
| DOF*1 (mm) | 4 | 6.6 | 2.25 | 1.6 | 0.68 |
| TV Distortion | Less than 0.1% | Less than 0.1% | Less than 0.1% | Less than 0.1% | Less than 0.2% |
| Co-axial Prism | Built-in | Built-in | Built-in | Built-in | Built-in |
| Weight | approx.91g | approx.61g | approx.49g | approx.54g | approx.57g |
| Sensor Size/Mount | 1/2" or smaller /C-Mount | 1/3" or smaller /C-Mount | 1/2" or smaller /C-Mount | 2/3" or smaller /C-Mount | 1/2" or smaller /C-Mount |

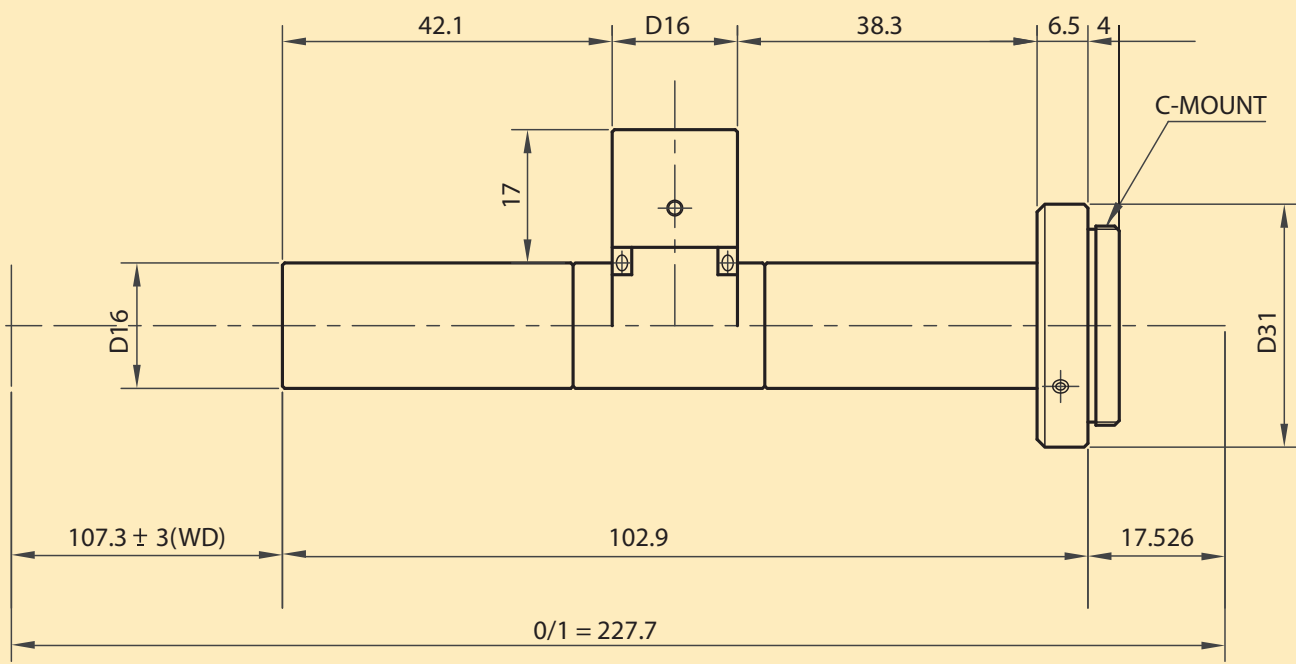
*1 Permissible COC at D0.04mm



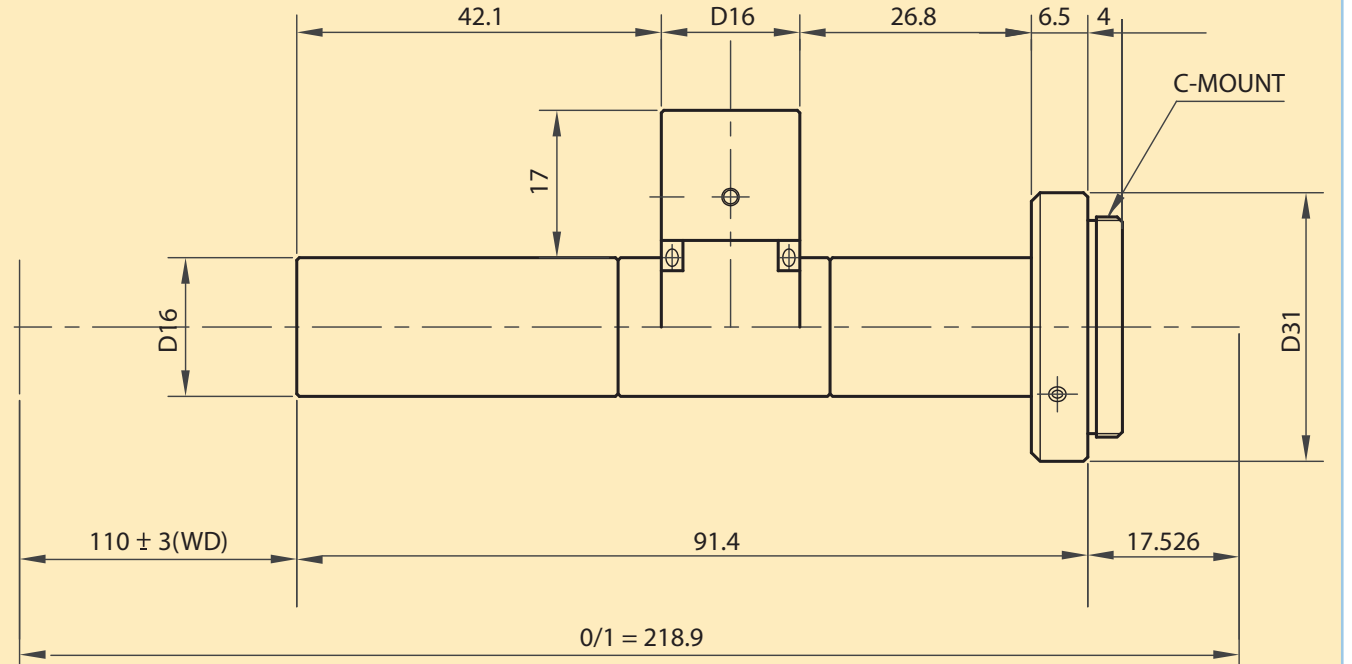
GT-TC2-110CO



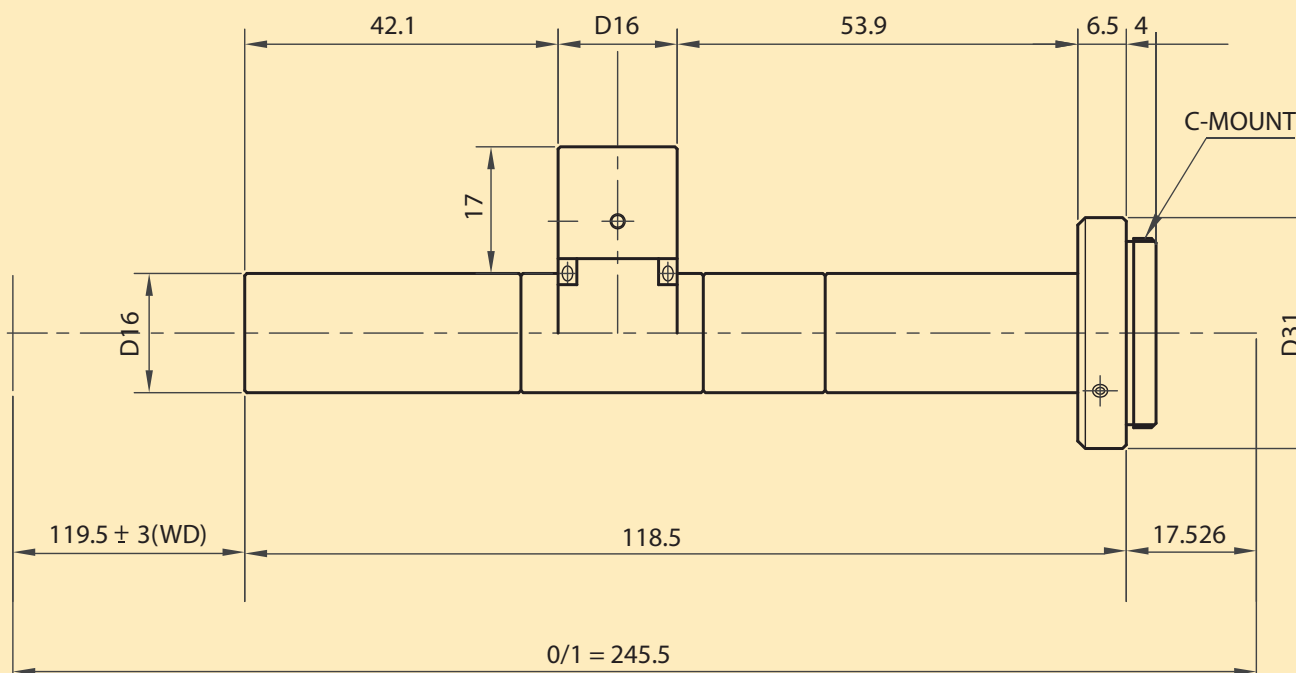
GT-TC3-110CO



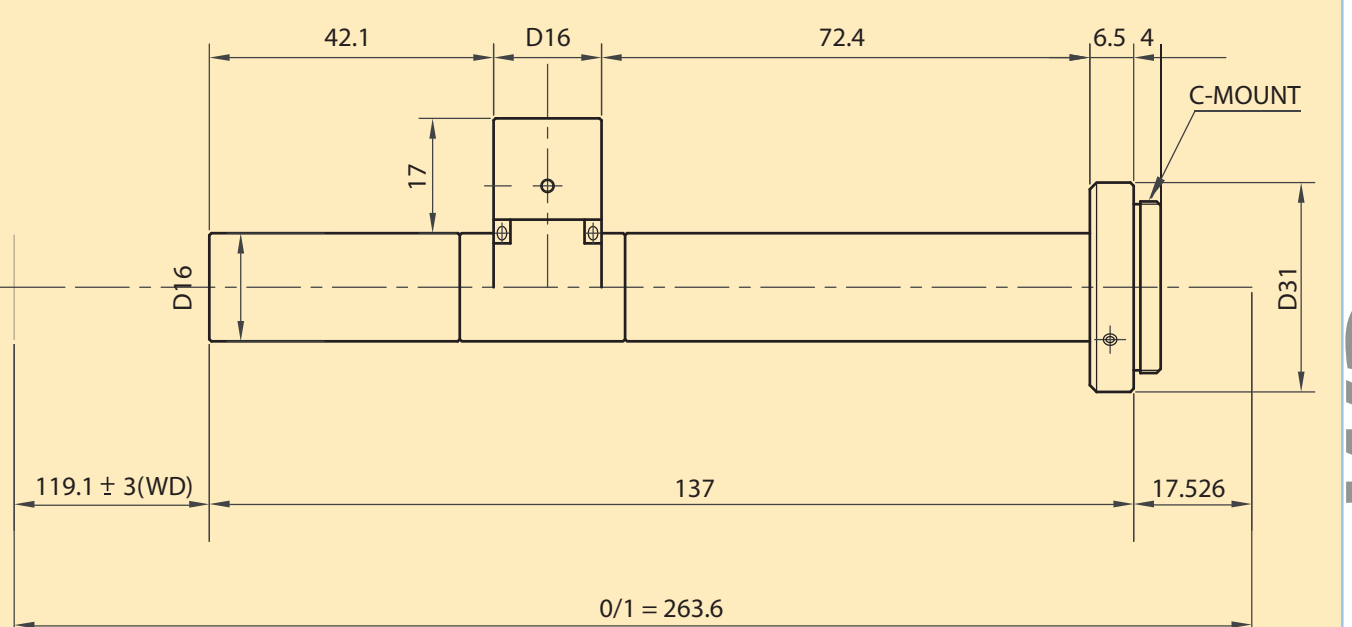
GT-TC4-110CO



GT-TC6-110CO



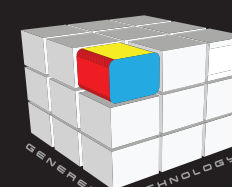
GT-TC8-110CO



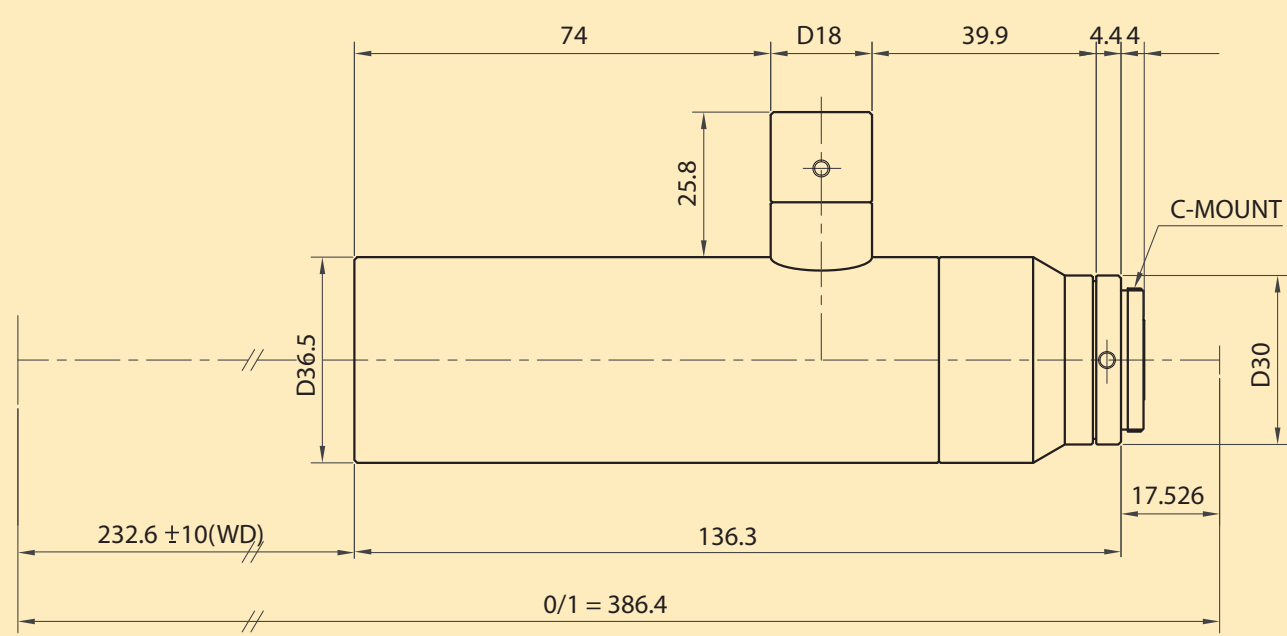
Long WD 110~170 mm

| Model | GT-TC2-110CO | GT-TC3-110CO | GT-TC4-110CO | GT-TC6-110CO | GT-TC8-110CO |
|-------------------|--------------------------|----------------|----------------|----------------|----------------|
| Optical Mag. | 2.0x | 3.0x | 4.0x | 6.0x | 8.0x |
| FOV 2/3" (VxH mm) | 3.3x4.4 | 2.2x2.93 | 1.65x2.2 | 1.1x1.46 | 0.82x1.1 |
| FOV 1/2" (VxH mm) | 2.4x3.2 | 1.6x2.13 | 1.2x1.6 | 0.8x1.06 | 0.6x0.8 |
| FOV 1/3" (VxH mm) | 1.8x2.4 | 1.2x1.6 | 0.9x1.2 | 0.6x0.8 | 0.45x0.6 |
| WD (mm) | 110 | 107.3 | 110 | 109.5 | 109.1 |
| O/l (mm) | 214.5 | 227.7 | 218.9 | 245.5 | 263.6 |
| Working F/# | 25 | 37.5 | 40 | 60 | 80 |
| NA | 0.04 | 0.04 | 0.05 | 0.05 | 0.05 |
| DOF*1 (mm) | 0.5 | 0.33 | 0.2 | 0.133 | 0.1 |
| TV Distortion | Less than 0.1% | Less than 0.1% | Less than 0.1% | Less than 0.1% | Less than 0.1% |
| Co-axial Prism | Built-in | Built-in | Built-in | Built-in | Built-in |
| Weight | approx.58g | approx.64g | approx.64g | approx.60g | approx.69g |
| Sensor Size/Mount | 2/3" or smaller /C-Mount | | | | |

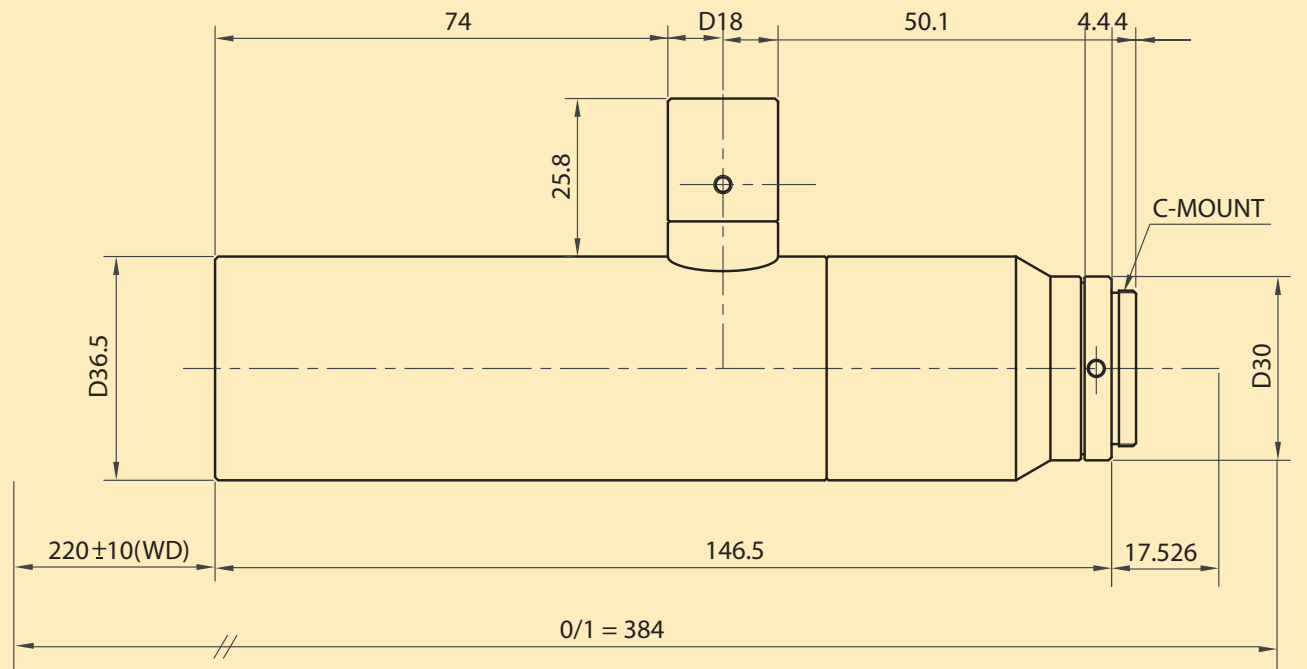
*1 Permissible COC at D0.04mm



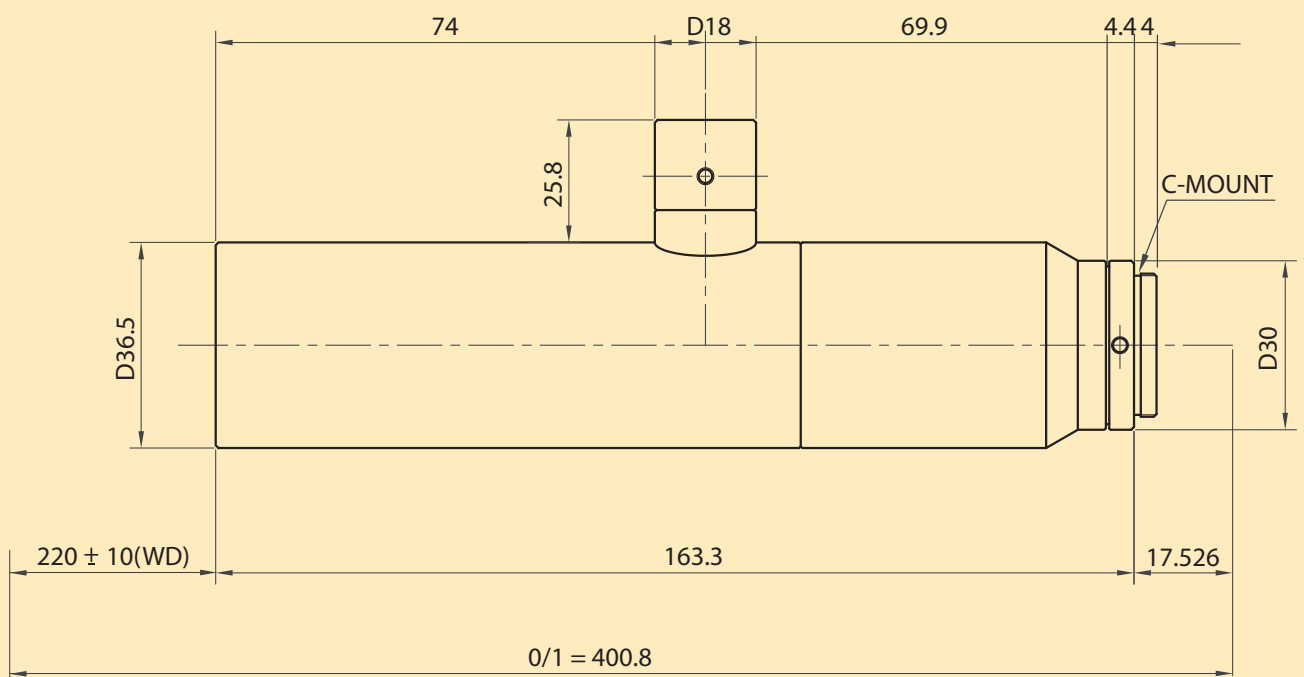
GT-TC08-220CO



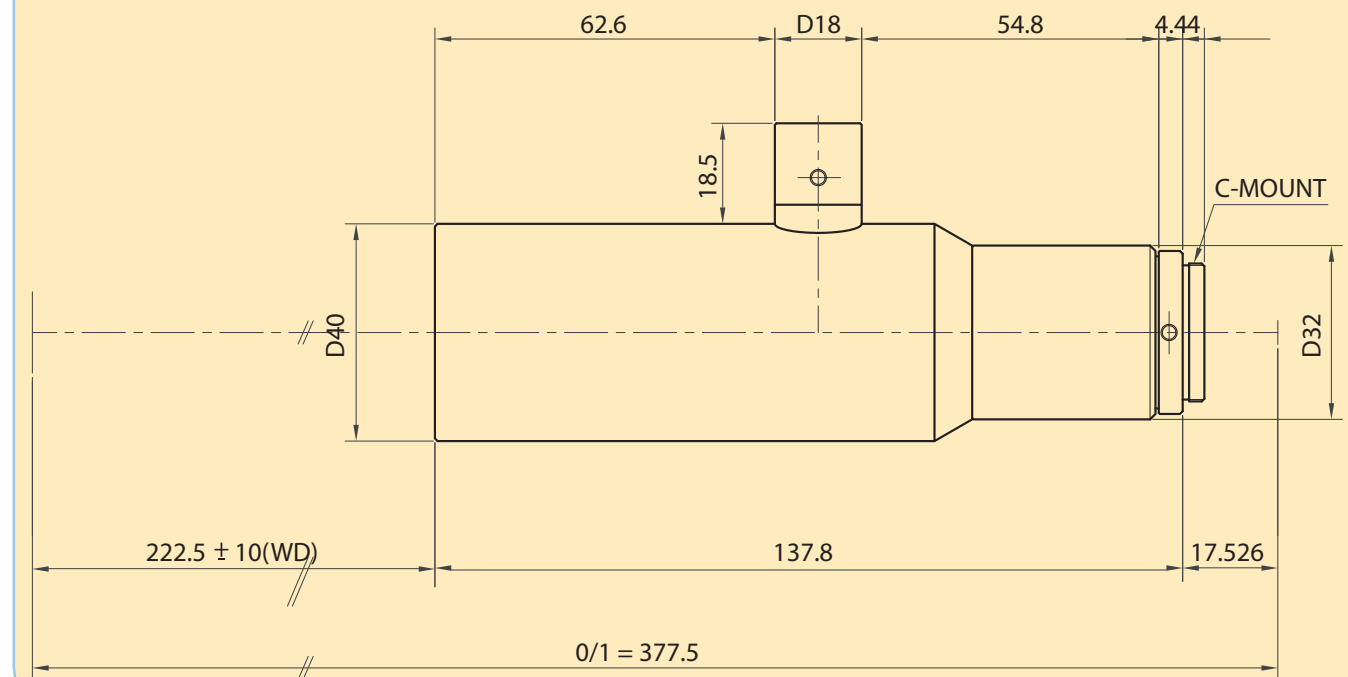
GT-TC1-220CO



GT-TC2-220CO



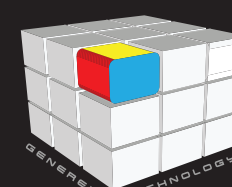
GT-TC4-220CO



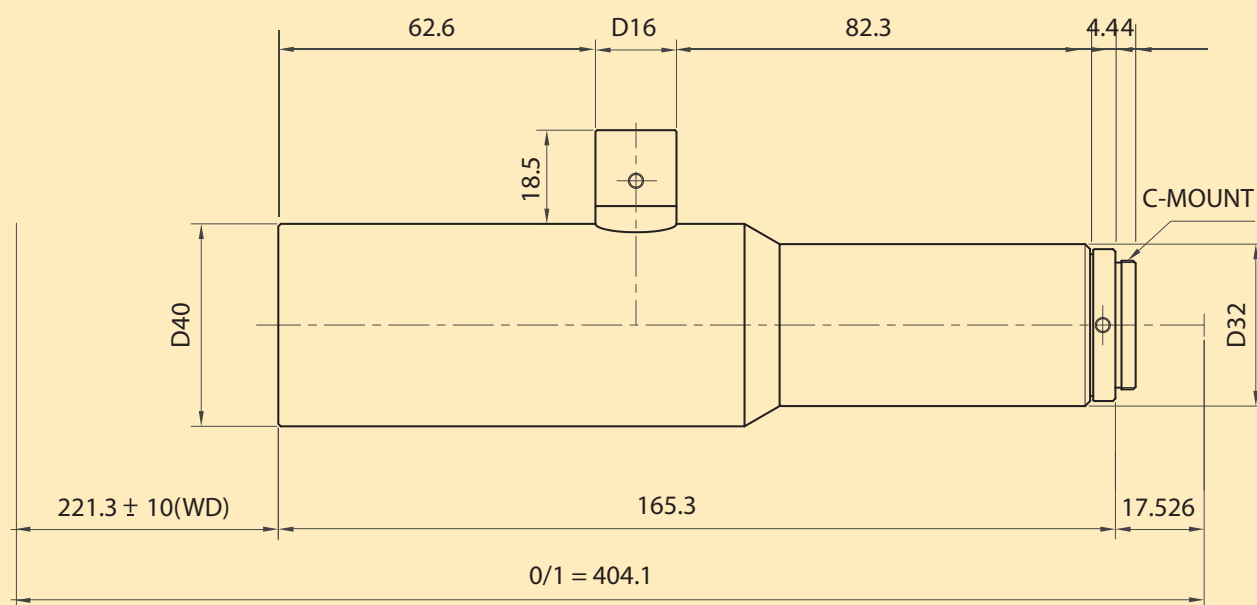
Super Long WD 220 mm

| Model | GT-TC08-220CO | GT-TC01-5-220CO | GT-TC4-220CO | GT-TC6-110 |
|-----------------------|--------------------------|-----------------|----------------|----------------|
| Optical Mag. | 0.8x | 1.0x | 4.0x | 6.0x |
| FOV 2/3" (VxH mm) | 6x8 | 4.8x6.4 | 1.2x1.6 | 1.1x1.46 |
| FOV 1/2" (VxH mm) | 4.5x6 | 3.6x4.8 | 0.9x1.2 | 0.8x1.06 |
| FOV 1/3" (VxHmm) | 232.6 | 220 | 222.5 | 0.6x0.8 |
| WD (mm) | 386.4 | 384.0 | 377.5 | 109.5 |
| O/I (mm) | 8 | 10 | 29.4 | 245.5 |
| Working F/# | 0.05 | 0.05 | 0.068 | 60 |
| NA | 1 | 0.8 | 0.14 | 0.05 |
| DOF*1 (mm) | Less than 0.15% | Less than 0.1% | Less than 0.1% | 0.133 |
| TV Distortion | Built-in | Built-in | Built-in | Less than 0.1% |
| Co-axial Prism Weight | approx.251g | approx.270g | approx.355g | approx.63g |
| Sensor Size/Mount | 1/2" or smaller /C-Mount | | | |

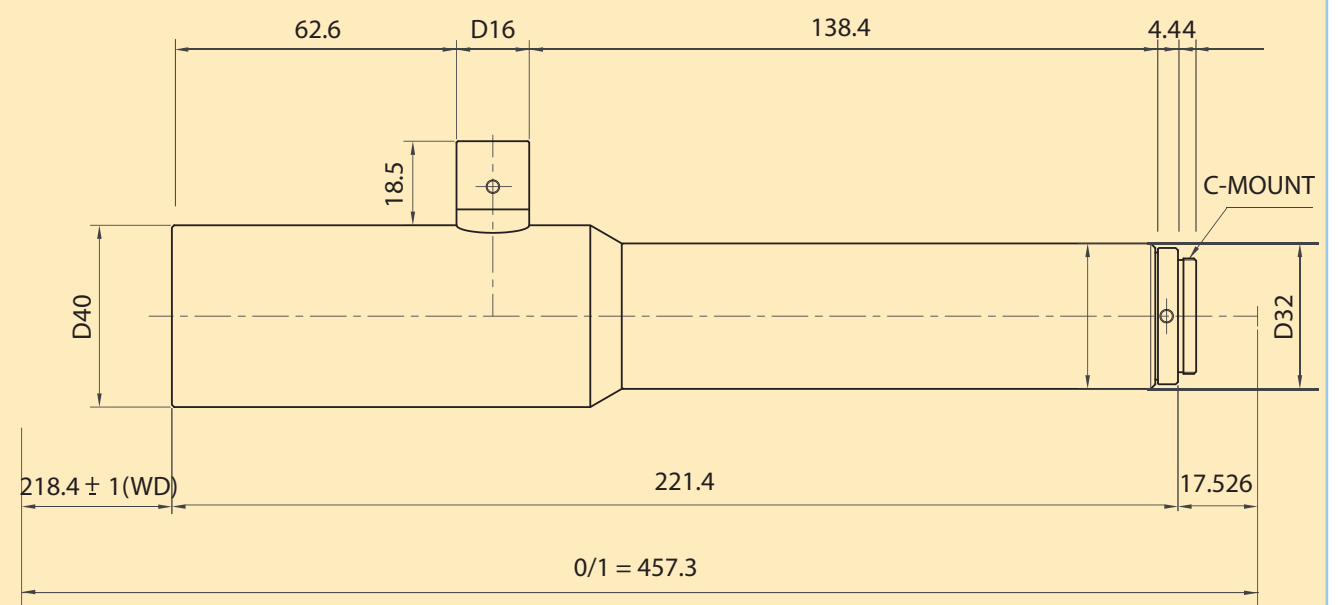
*1 Permissible COC at D0.04mm



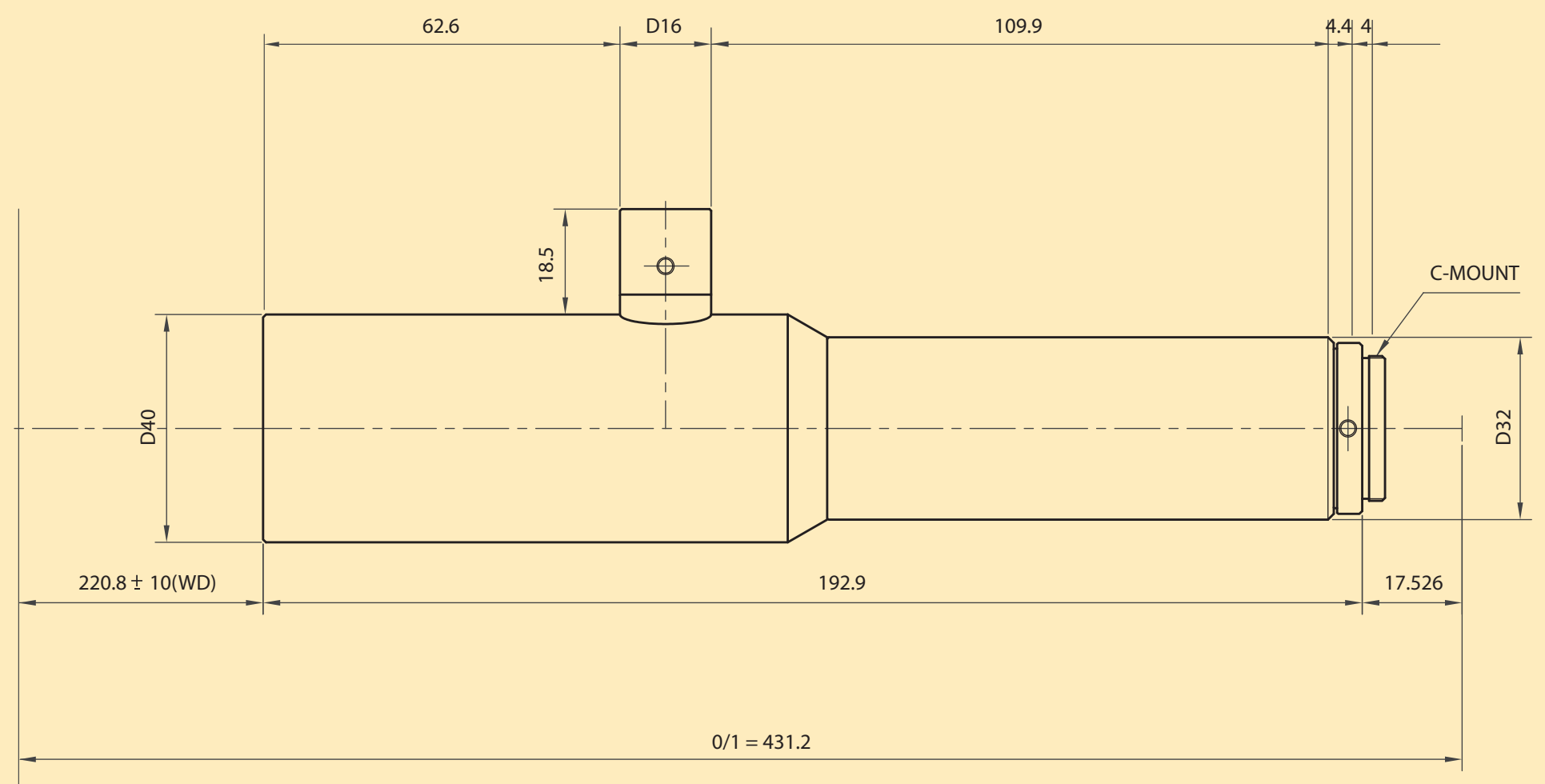
GT-TC6-220CO



GT-TC10-220CO



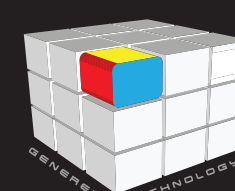
GT-TC8-220CO



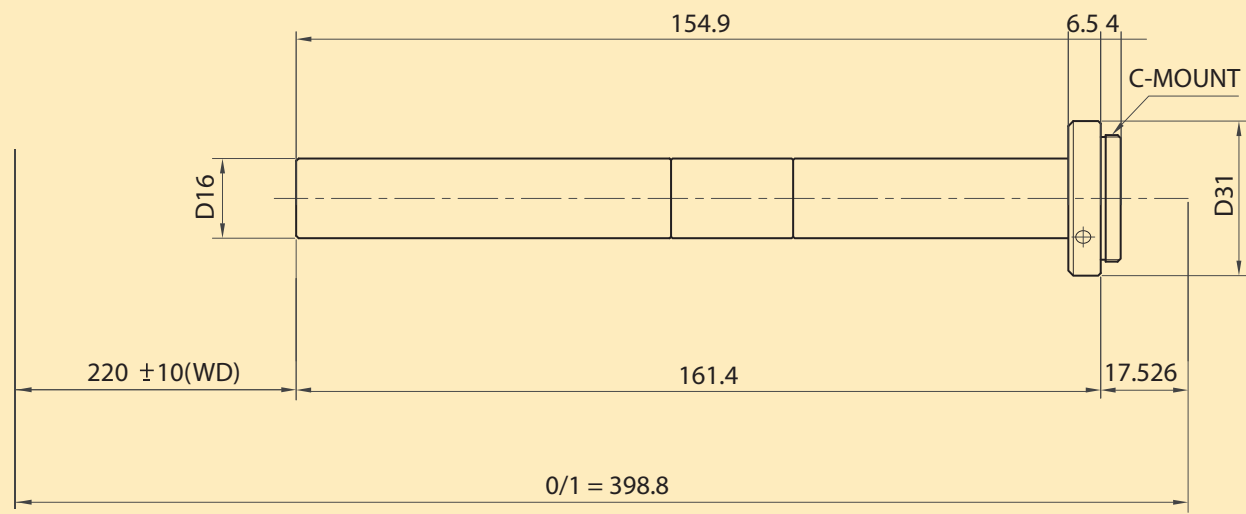
Super Long WD 220 mm

| Model | GT-TC6-220CO | GT-TC8-220CO | GT-TC10-220CO |
|-------------------|--------------------------|----------------|----------------|
| Optical Mag. | 6.0x | 8.0x | 10.0x |
| FOV 2/3" (VxH mm) | 0.8x1.06 | 0.6x0.8 | 0.48x0.64 |
| FOV 1/2" (VxH mm) | 0.6x0.8 | 0.45x0.6 | 0.36x0.48 |
| FOV 1/3" (VxH mm) | 221.3 | 220.8 | 218.4 |
| WD (mm) | 404.1 | 431.2 | 457.3 |
| O/I (mm) | 44.1 | 58.8 | 73.5 |
| Working F/# | 0.068 | 0.068 | 0.068 |
| NA | 0.09 | 0.07 | 0.058 |
| DOF*1 (mm) | Less than 0.1% | Less than 0.1% | Less than 0.1% |
| TV Distorion | Built-in | Built-in | Built-in |
| Co-axial Prism | approx.390g | approx.427g | approx.453g |
| Weight | | | |
| Sensor Size/Mount | 1/2" or smaller /C-Mount | | |

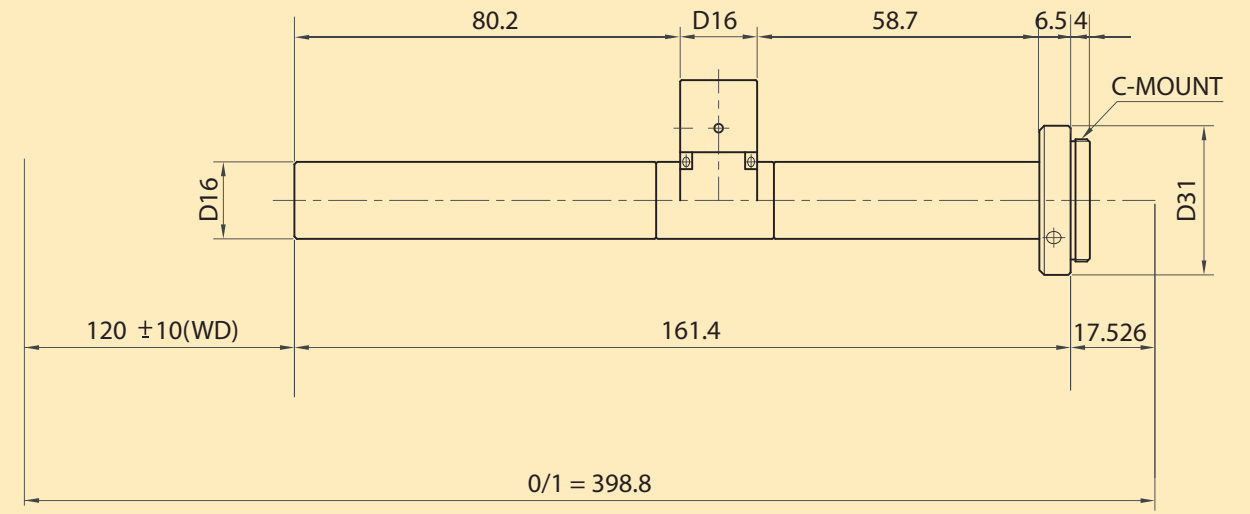
*1 Permissible COC at D0.04mm



GT-TC2-220-16



GT-TC2-220CO-16

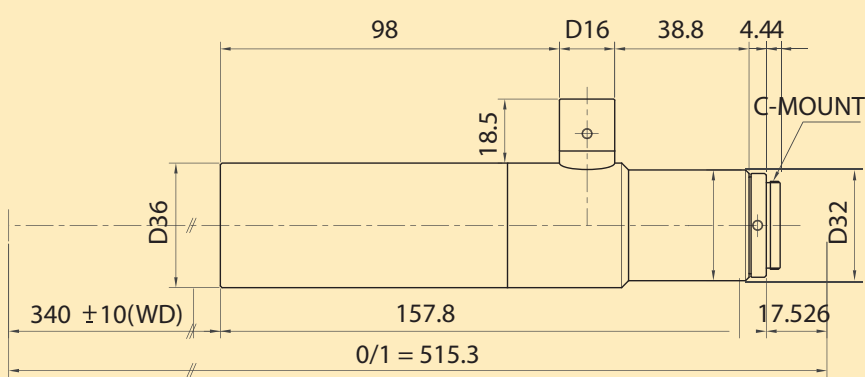


Super Long WD 220 mm D16

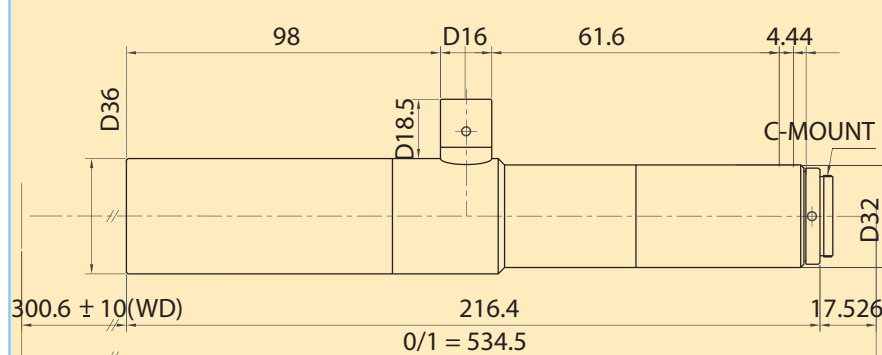
| Model | GT-TC2-220-16 | GT-TC2-220CO-16 |
|-------------------|--------------------------|-----------------|
| Optical Mag. | 2.0x | 2.0x |
| FOV 1/2" (VxH mm) | 2.4x3.2 | 2.4x3.2 |
| FOV 1/3" (VxHmm) | 1.8x2.4 | 1.8x2.4 |
| WD (mm) | 220 | 220 |
| O/I (mm) | 398.9 | 398.9 |
| Working F/# | 43.47 | 43.47 |
| NA | 0.023 | 0.023 |
| DOF*1(mm) | 0.86 | 0.86 |
| TV Distortion | Less than 0.15% | Less than 0.1% |
| Co-axial Prism | - | Built-in |
| Weight | approx.70g | approx.78g |
| Sensor Size/Mount | 1/2" or smaller /C-Mount | |

*1 Permissible COC at D0.04mm

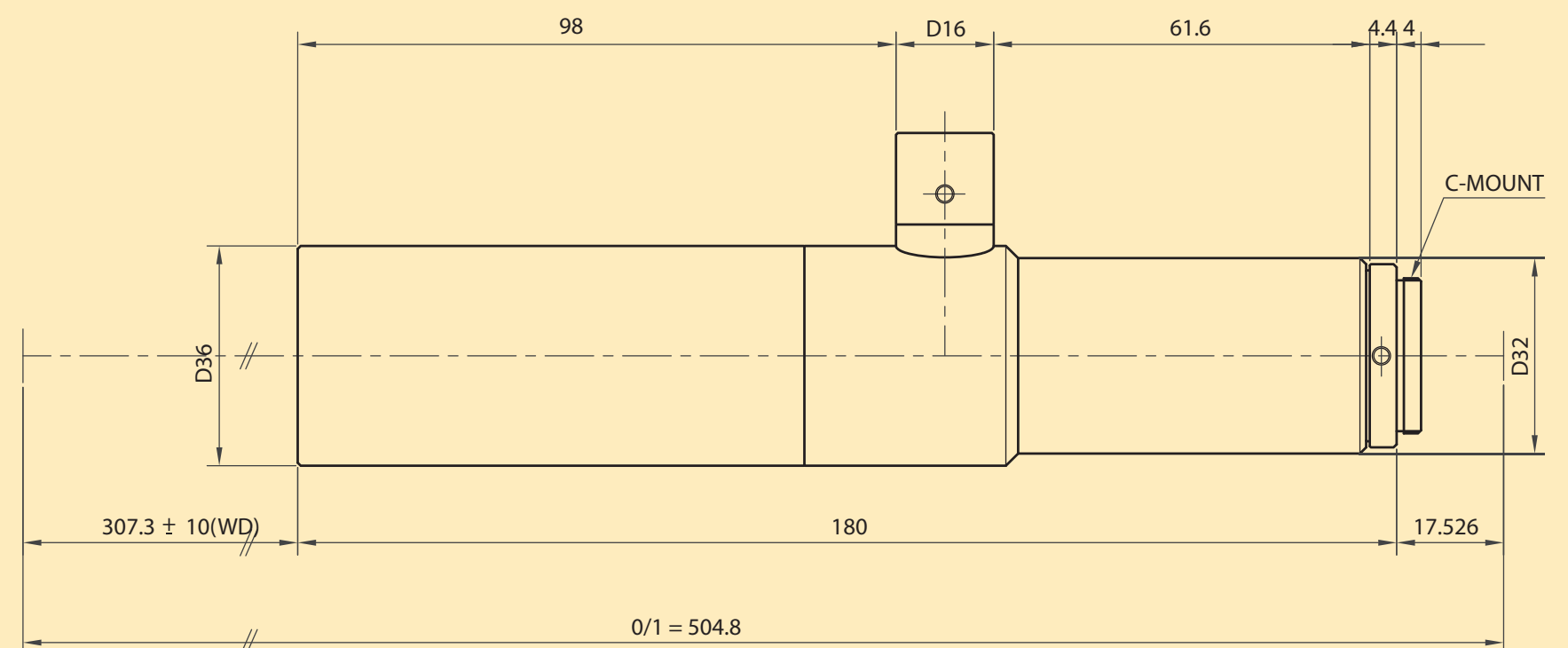
GT-TC07-340CO



GT-TC2-300CO



GT-TC1-300CO



Super Long WD 300 mm ~ 340mm

| Model | GT-TC07-340CO | GT-TC1-300CO | GT-TC2-300CO |
|-------------------|--------------------------|--------------|--------------|
| Optical Mag. | 0.7x | 1.0x | 2.0x |
| FOV 1/2" (VxH mm) | 6.86x9.14 | 4.8x6.4 | 2.4x3.2 |
| FOV 1/3" (VxHmm) | 5.14x6.86 | 3.6x4.8 | 1.8x2.4 |
| WD (mm) | 340 | 307.3 | 300.6 |
| O/I (mm) | 515.3 | 504.8 | 534.5 |
| Working F/# | 11.66 | 15.625 | 31.25 |
| NA | 0.03 | 0.032 | 0.032 |
| DOF*1(mm) | 1.9 | 1.25 | 0.625 |
| TV Distortion | 0.1% | 0.1% | 0.1% |
| Co-axial Prism | Built-in | Built-in | Built-in |
| Weight | approx.241.3g | approx.287g | approx.334g |
| Sensor Size/Mount | 1/2" or smaller /C-Mount | | |

*1 Permissible COC at D0.04mm

